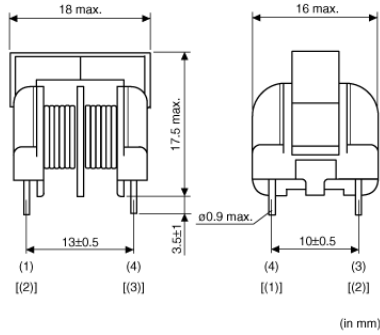


PLH10AS3711R0P2B



Appearance & Shape



Packaging Information

| Packaging | Specifications | Minimum Order Quantity |
|-----------|----------------|------------------------|
| - | Box | 1260 |

Attention

- 1.This datasheet is downloaded from the website of Murata Manufacturing Co., Ltd. Therefore, it's specifications are subject to change or our products in it may be discontinued without advance notice. Please check with our sales representatives or product engineers before ordering.
- 2.This datasheet has only typical specifications because there is no space for detailed specifications.
Therefore, please review our product specifications or consult the approval sheet for product specifications before ordering.

PLH10AS3711R0P2B



Specifications

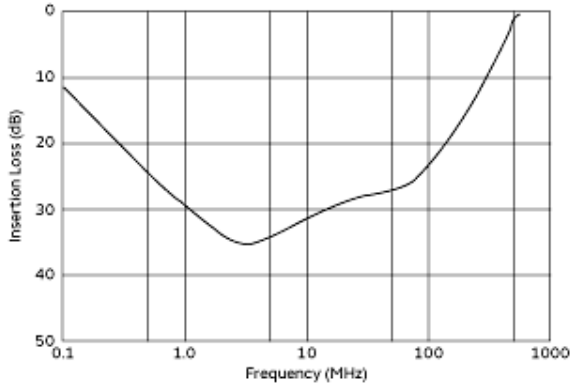
| | |
|--|---|
| Common Mode Inductance(min.) | 370 μ H |
| DC Resistance(max.) | 0.3 Ω |
| Rated Current | 1A |
| Length | 18mm max. |
| Width | 16mm max. |
| Thickness | 17.5mm max. |
| Operating Temperature Range | -25°C to 60°C |
| Winding Temperature Rise(at Rated Current)(max.) | 60°C |
| Rated Voltage | 250Vac |
| Insulation Resistance(min.) | 100M Ω |
| Withstanding Voltage | 2000V(AC)(1minute) or 2400V(AC)(1second) |
| Mass(typ.) | 5g |
| Winding Mode | Single Layer Winding |

Attention

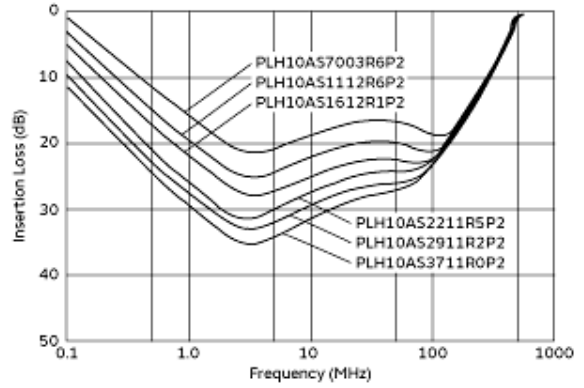
- 1.This datasheet is downloaded from the website of Murata Manufacturing Co., Ltd. Therefore, it's specifications are subject to change or our products in it may be discontinued without advance notice. Please check with our sales representatives or product engineers before ordering.
- 2.This datasheet has only typical specifications because there is no space for detailed specifications.
Therefore, please review our product specifications or consult the approval sheet for product specifications before ordering.

PLH10AS3711R0P2B

Product Data



Insertion Loss Characteristics



Insertion Loss Characteristics (Main)



Equivalent Circuit

Attention

- 1.This datasheet is downloaded from the website of Murata Manufacturing Co., Ltd. Therefore, it's specifications are subject to change or our products in it may be discontinued without advance notice. Please check with our sales representatives or product engineers before ordering.
- 2.This datasheet has only typical specifications because there is no space for detailed specifications. Therefore, please review our product specifications or consult the approval sheet for product specifications before ordering.