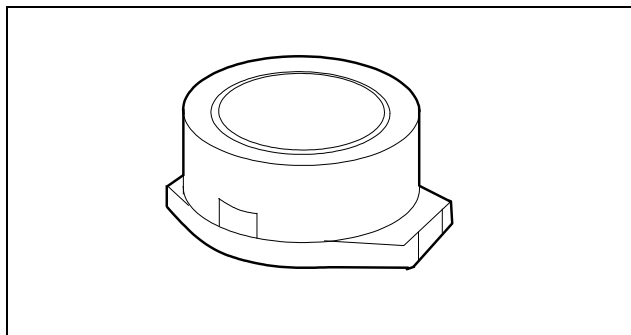


OUTLINE DIMENSIONS/RECOMMENDED PCB LAYOUT (inch/mm)



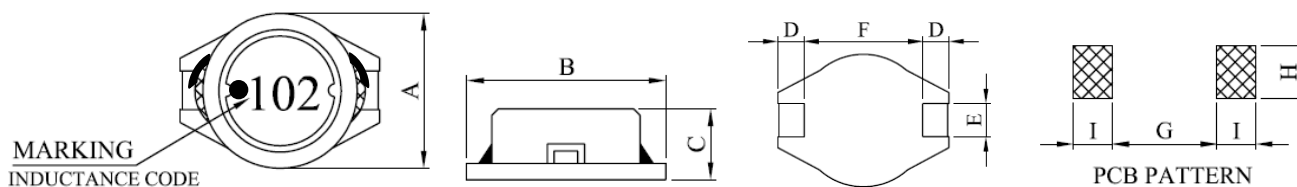
OUTLINE

Slim type.
Self shielded.
Height: 6mm Max.
Low resistance.
Excellent DC current characteristics.

APPLICATIONS

Laptop and Notebook computers and PDAs.
DC/DC converters.
Inductor for general purpose use.

Part No.	A	B	C	D	E	F	G	H	I
AX1005-102K	0.394 10.00	0.500 12.70	0.193 4.90	0.095 2.40	0.087 2.20	0.299 7.60	0.287 7.30	0.110 2.80	0.118 3.00



SPECIFICATIONS

Part Number	Inductance (uH± 10%) (Note 1)	Q REF	SRF (MHZ) TYP.	DC Resistance (Ωmax)	Rated Current(Amp) (Note 2)
AX1005-102K	1000.0	70	2.0	3.20	0.22

Note:1. Inductance measured at 1V, 100.0KHz without DC current.

2. Rated DC current is the approximate current at which inductance will be decreased by 10% from its initial (zero DC) value or the DC current at which $\Delta T=40^{\circ}\text{C}$, whichever is lower.

Storage Temp: -40 to 125°C

Operating Temp: -40 to 85°C

Resistance to Solder Heat: 260°C for 10 sec. Max

RoHS Compliance: As of manufacturing date February 2005, all standard products meet the requirements of 2011/65/EU, known as the RoHS initiative.

* Upon printing, this document is considered "uncontrolled". Please contact Triad Magnetics' website for the most current version