

NCV7430

Automotive LIN RGB LED Driver

The NCV7430 is a single-chip RGB driver intended for dedicated multicolor LED applications. The RGB LED driver contains a LIN interface (slave) for parametric programming of LED color and intensity.

The device receives instructions through the LIN bus and subsequently drives the LEDs independently.

The NCV7430 acts as a slave on the LIN bus and the master can request specific status information (parameter values and error flags). The LIN address of the NCV7430 can be programmed in the internal memory of the device.

The NCV7430 is fully compatible with automotive requirements.

PRODUCT FEATURES

LED Driver

- 3 Independent LED Current Regulators
 - LED Currents Adjustable with External Resistors
 - Power Dissipation Option with External Ballast Transistor
- #### Controller with One –Time –Programmable Memory (OTP)
- LED Modulation Controller for 3 LEDs
 - Full LED Calibration Support
 - ◆ Internal LED Color Calibration via Matrix Calculation
 - ◆ Intensity Control (linear or logarithmic)
 - ◆ Dimming and Color Transition (linear) Function with Programmable Transition Time

LIN Interface

- LIN Physical Layer according to LIN 2.1/ SAE J2602
- OTP-programmable Device Node Number
- OTP-programmable Group Address
- Diagnostics and Status Information
- LIN Bus Short-circuit Protection to Supply and Ground

Protection and Diagnostics

- Over-current Detection
- Short Circuit Detection to GND and VBB
- Open LED Detection
- High Temperature Warning and Shutdown
- Retry Mode on Error Detection

Power Saving

- Sleep Mode Supply Current 10 μ A
- Compliant with 14 V Automotive Systems

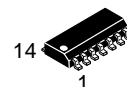
EMI Compatibility

- LIN Bus Integrated Slope Control
- EMC Reduced LED Modulation Mode
- NCV Prefix for Automotive and Other Applications Requiring Unique Site and Control Change Requirements; AEC-Q100 Qualified and PPAP Capable
- These Devices are Pb-Free and are RoHS Compliant



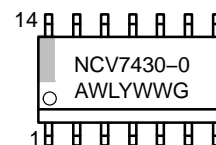
ON Semiconductor®

www.onsemi.com



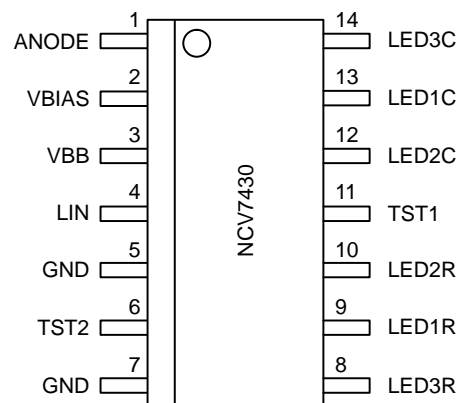
SOIC-14
D2 SUFFIX
CASE 751A

MARKING DIAGRAM



NCV7430 = Specific Device Code
A = Assembly Location
WL = Wafer Lot
Y = Year
WW = Work Week
G = Pb-Free Package

PIN CONNECTIONS



ORDERING INFORMATION

| Device | Package | Shipping† |
|---------------|-------------------|--------------------|
| NCV7430D20G | SOIC-14 (Pb-Free) | 55 Units / Tube |
| NCV7430D20R2G | SOIC-14 (Pb-Free) | 3000 / Tape & Reel |

†For information on tape and reel specifications, including part orientation and tape sizes, please refer to our Tape and Reel Packaging Specification Brochure, BRD8011/D.

NCV7430

BLOCK DIAGRAM

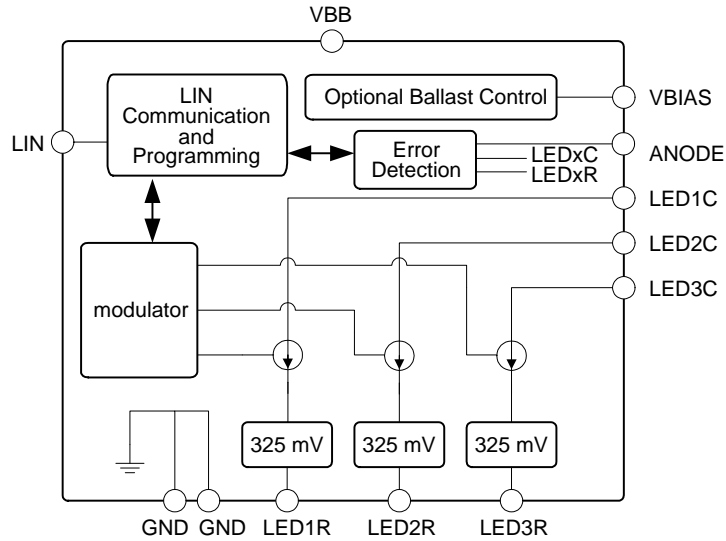


Figure 1. Simple Block Diagram

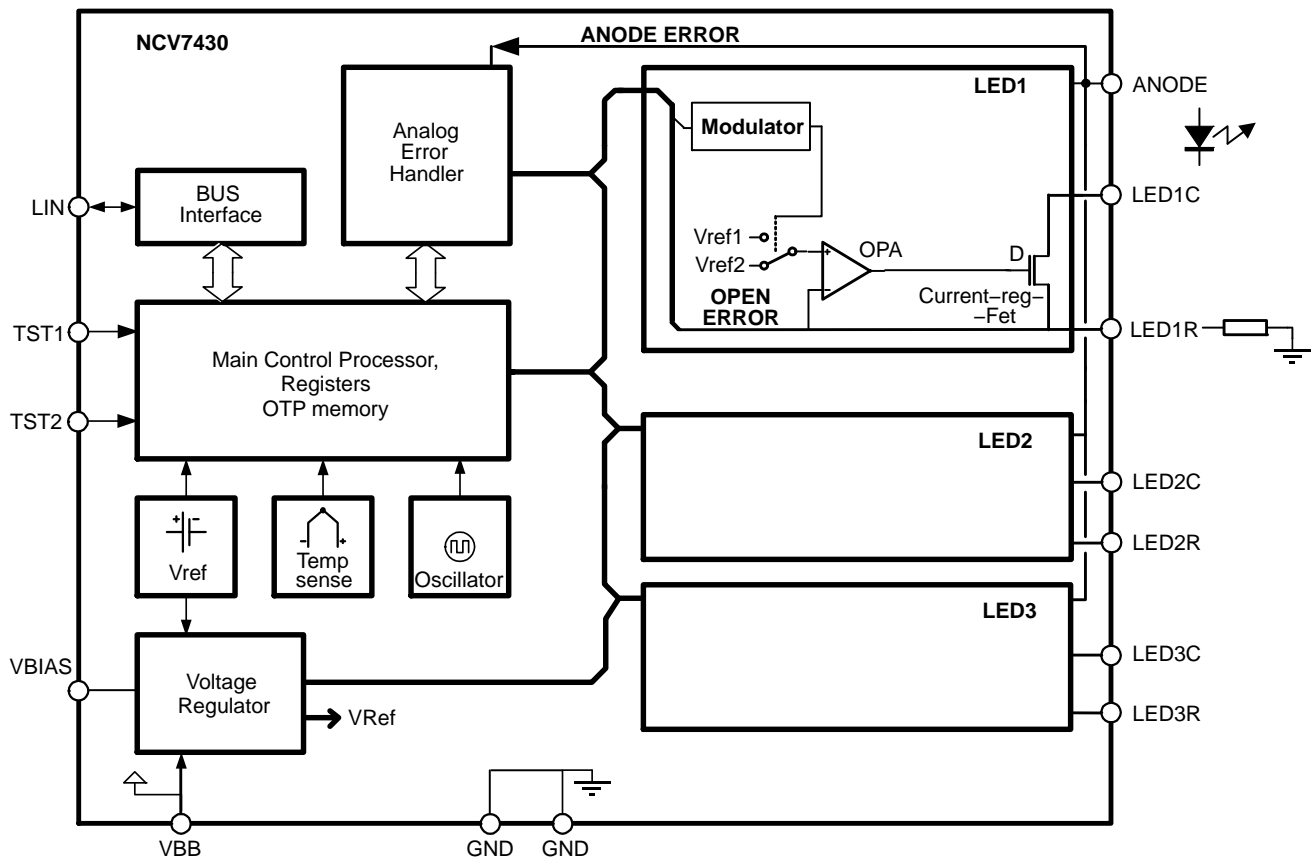


Figure 2. Detailed Block Diagram

NCV7430

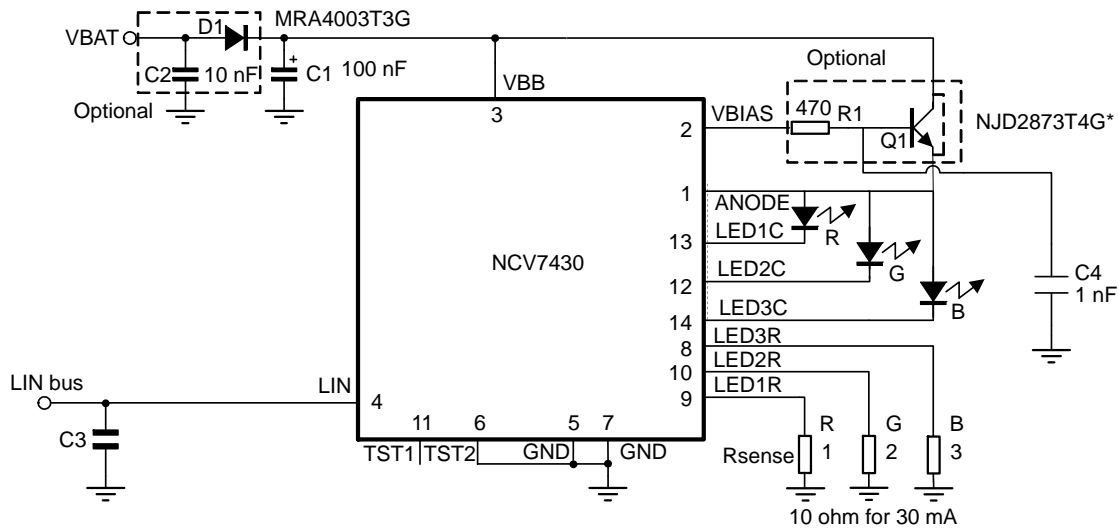


Figure 3. Typical Application with Ballast Transistor

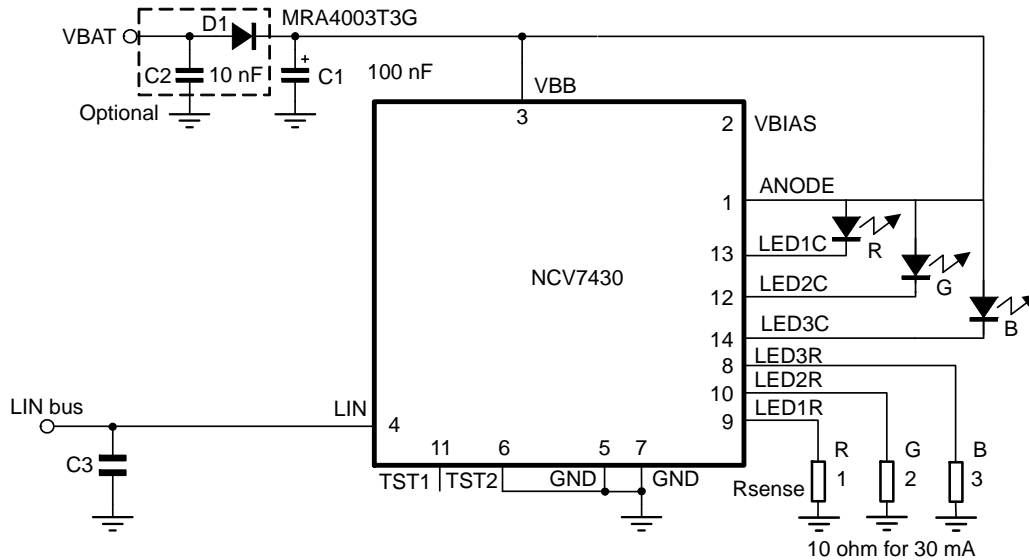


Figure 4. Typical Application without Ballast Transistor

NOTES:

C₁ must be close to pins V_{BB} and GND

C₂ and C₃ is placed for EMC reasons; value depends on EMC requirements of the application

R1 and Q1 and reverse polarity protection D1 and C2 are optional.

When Q1 is not used, connect VBB to the ANODE pin. VBIAS output is kept open in this case.

Rsense₁, Rsense₂ and Rsense₃ have to be calculated for LED current settings.

“R”, “G”, “B” designators refer to the ON Semiconductor evaluation board software associations.

* For lower power applications, a PZT3904T1G device can be substituted.

RGB LED, OSRAM, LRTB G6TG or Dominant, D6RTB-PJD- VW+WX+TU- CS0479

Table 1. OPERATING RANGES

| Parameter | | Min | Max | Unit |
|-----------------|-----------------------------|------|------|------|
| V _{BB} | Supply voltage | +5.5 | +18 | V |
| T _J | Operating temperature range | -40 | +125 | °C |

NCV7430

Table 2. PIN FUNCTION DESCRIPTION (14 LEAD SON Package)

| Pin # | Label | Pin Description |
|-------|-------|---|
| 1 | ANODE | Anode input for LED fault detection |
| 2 | VBIAS | Bias output for ballast transistor |
| 3 | VBB | VBB (14 V) Supply Voltage |
| 4 | LIN | LIN–bus connection |
| 5 | GND | Supply GND |
| 6 | TST2 | Test pin (ground pin) |
| 7 | GND | Supply GND |
| 8 | LED3R | Current program resistor to ground for LED3C |
| 9 | LED1R | Current program resistor to ground for LED1C |
| 10 | LED2R | Current program resistor to ground for LED2C |
| 11 | TST1 | Test pin (float pin) (Note 1) |
| 12 | LED2C | Channel 2 regulated current output to LED cathode |
| 13 | LED1C | Channel 1 regulated current output to LED cathode |
| 14 | LED3C | Channel 3 regulated current output to LED cathode |

1. Floating pin 11 eliminates the possibility of a short to ground of the adjacent pin (LED2C).

Table 3. MAXIMUM RATINGS

| Parameter | | Min | Max | Unit |
|-------------|---|------|--------------|------|
| V_{BB} | Supply voltage | -0.3 | +43 (Note 2) | V |
| | Supply voltage | -0.3 | 28 (Note 3) | V |
| V_{lin} | Bus input voltage (LIN) | -45 | +45 | V |
| V_{VBIAS} | Ballast Transistor Drive Voltage Pin (VBIAS) | -0.3 | VANODE | V |
| I_{BIAS} | Ballast Output Drive (VBIAS) | - | 10 | mA |
| VANODE | LED Fault Sense Pin (ANODE) voltage | -0.3 | VBB | V |
| V_{LEDC} | LED Current Pin (LEDxC) voltage (Note 7) | -0.3 | VBB | V |
| V_{LEDR} | Program Current Pin (LEDxR) voltage (Note 4) | -0.3 | 3.6 | V |
| T_J | Junction temperature range (Note 5) | -50 | +175 | °C |
| T_{flw} | Peak Reflow Soldering Temperature: Pb–Free 60 to 150 seconds at 217°C (Note 6) | - | 260 peak | °C |

Stresses exceeding those listed in the Maximum Ratings table may damage the device. If any of these limits are exceeded, device functionality should not be assumed, damage may occur and reliability may be affected.

2. For limited time: $t < 0.5$ s.

3. $t < 3$ minutes

4. V_{LEDR} cannot exceed V_{LEDC} .

5. The circuit functionality is not fully guaranteed outside operating temperature range.

6. For additional information, see or download ON Semiconductor's Soldering and Mounting Techniques Reference Manual, SOLDERRM/D, and Application Note AND8003/D.

7. Capacitive loading on LEDxC pins is limited to < 200 pF for proper functionality.

Table 4. ATTRIBUTES

| Characteristics | Value |
|--|---|
| ESD Capability (Note 8) Human Body Model (LIN Pin) Human Body Model (All Remaining Pins) Machine Model | $> \pm 4$ kV $> \pm 2$ kV $> \pm 200$ V |
| Moisture Sensitivity Level (Note 6) | MSL 2 |
| Storage Temperature | -55°C to 150°C |
| Package Thermal Resistance Junction–to–Ambient ($R_{\theta JA}$) (2S2P) (Note 9) Junction–to–Pin ($R_{\psi JL}$) (Pins 4 & 11) | 100°K/W 53°K/W |
| Meets or exceeds JEDEC Spec EIA/JESD78 IC Latchup Test | |

8. HBM according to AEC–Q100: EIA–JESD22–A114–B (100 pF via 1.5 k Ω) and MM according to AEC–Q100: EIA–JESD22–A115–A.

9. Simulated conform JEDEC JESD51

NCV7430

Table 5. ELECTRICAL CHARACTERISTICS (5.5 V < V_{BB} < 18 V, -40°C < T_J < 125°C, R_{sense} = 10 Ω TWPROG = TWPROG2 = 0, unless otherwise specified).

| Symbol | Pin(s) | Characteristic | Conditions | Min | Typ | Max | Unit | | | | | | |
|---------------------------------------|--------|--|--|------------------------|-------|-------------------------|------------|---|---|-----------|--------------|-----------|----|
| LEDDRIVER | | | | | | | | | | | | | |
| I _{LEDmax} | LED1C | Single LED current in normal operation | V _{BB} = 14 V For individual LED driven | - | - | 32 | mA | | | | | | |
| | LED2C | | | | | | | | | | | | |
| I _{LEDmaxTotal} | LED3C | | | | | | | All LED currents in normal operation | V _{BB} = 14 V For all LEDs driven | - | - | 96 | mA |
| I _{LEDxC} | | | | | | | | LED current | Uncalibrated Max ON Duty Cycle R _{SENSE} = 10 Ω R _{SENSE} = 100 Ω | 28 2.8 | 30.5 3.05 | 32 3.2 | mA |
| I _{MSabs} | | | | | | | | Absolute error on LED current | Calibrated V _{BB} = 14 V, 3 mA < I _{LEDxC} < 30 mA R _{SENSE} = 10 Ω R _{SENSE} = 100 Ω | -1 -3 | - - | 1 3 | % |
| V _{Vref1} | | | | | | | | Reference voltage for current regulators (High) state | V _{BB} = 14 V | - | 325 | - | mV |
| V _{Vref2} | | Reference voltage for current regulators (Low) state | V _{BB} = 14 V | - | 20 | - | mV | | | | | | |
| LIN TRANSMITTER | | | | | | | | | | | | | |
| I _{bus_off} | LIN | Dominant state, driver off | V _{linbus} = 0 V, V _{BB} = 8 V & 18 V | -1 | - | - | mA | | | | | | |
| I _{bus_off} | | Recessive state, driver off | V _{linbus} = V _{bat} , V _{BB} = 8 V & 18 V | - | - | 20 | μA | | | | | | |
| I _{bus_lim} | | Current limitation | V _{BB} = 8 V & 18 V | 40 | 75 | 200 | mA | | | | | | |
| R _{slave} | | Pullup resistance | V _{BB} = 8 V & 18 V | 20 | 30 | 47 | kΩ | | | | | | |
| LIN RECEIVER | | | | | | | | | | | | | |
| V _{bus_dom} | LIN | Receiver dominant state | V _{BB} = 8 V & 18 V | 0 | - | 0.4 * V _{BB} | V | | | | | | |
| V _{bus_rec} | | Receiver recessive state | V _{BB} = 8 V & 18 V | 0.6 * V _{BB} | - | V _{BB} | V | | | | | | |
| V _{bus_hys} | | Receiver hysteresis | V _{BB} = 8 V & 18 V | 0.05 * V _{BB} | - | 0.175 * V _{BB} | V | | | | | | |
| V _{rec_th_wake} | | Lin wake up threshold | V _{BB} = 8 V & 18 V | V _{BB} - 1.1 | - | V _{BB} - 3.3 | V | | | | | | |
| THERMAL WARNING & SHUTDOWN | | | | | | | | | | | | | |
| T _{tw} | | Thermal warning (Notes 10, 11) | | 107 | 115 | 123 | °C | | | | | | |
| T _{twhyst} | | Thermal warning hysteresis | | - | 10 | - | | | | | | | |
| T _{tsd} | | Thermal shutdown (Note 10) | | 147 | 155 | 163 | °C | | | | | | |
| THERMAL CONTROL | | | | | | | | | | | | | |
| TH _{Ired_step} | | LED Drive Current change at Thermal Warning | | - | -6.25 | - | % per step | | | | | | |
| VBIAS OUTPUT | | | | | | | | | | | | | |
| V _{bias} | | Output voltage | V _{BB} = 14 V, I _{bias} = 5 mA | 7.3 | - | 8.3 | V | | | | | | |
| VBB SUPPLY | | | | | | | | | | | | | |
| V _{BB_UV} | | VBB Under Voltage for LIN Communication | | 5.40 | 5.8 | 6.0 | V | | | | | | |

Product parametric performance is indicated in the Electrical Characteristics for the listed test conditions, unless otherwise noted. Product performance may not be indicated by the Electrical Characteristics if operated under different conditions.

10. Parameter guaranteed by trimming in production test.

11. No more than 2000 cumulative hours in life time above T_w.

NCV7430

Table 5. ELECTRICAL CHARACTERISTICS (5.5 V < V_{BB} < 18 V, -40°C < T_J < 125°C, R_{sense} = 10 Ω TWPROG = TWPROG2 = 0, unless otherwise specified).

| Symbol | Pin(s) | Characteristic | Conditions | Min | Typ | Max | Unit |
|------------------------|-----------------|--|--|-----|-----|-----|------|
| VBB SUPPLY | | | | | | | |
| VBB_UV_hys | | VBB Under Voltage Hysteresis for LIN Communication | | – | 0.2 | 0.4 | V |
| PORH_V _{bb} | | Power on Reset for output drive capability | Rising V _{bb} | – | – | 4.4 | V |
| | | | Falling V _{bb} | 1.9 | – | – | |
| V _{bb} OTP | V _{BB} | Supply voltage for OTP zapping | | 13 | – | 16 | V |
| I _{bat} | | Total current consumption | Unloaded outputs V _{BB} = 18 V, LEDs OFF | – | 5.0 | 7.0 | mA |
| I _{bat_sleep} | | Sleep mode current consumption | V _{BB} = 13.5 V, T _J = 85°C | – | 10 | 20 | μA |

Product parametric performance is indicated in the Electrical Characteristics for the listed test conditions, unless otherwise noted. Product performance may not be indicated by the Electrical Characteristics if operated under different conditions.

10. Parameter guaranteed by trimming in production test.

11. No more than 2000 cumulative hours in life time above T_w.

NCV7430

AC PARAMETERS

The AC parameters are guaranteed for temperature and V_{BB} in the operating range unless otherwise specified. The LIN transmitter and receiver physical layer parameters are compliant to LIN rev. 2.0 & 2.1.

Table 6. AC CHARACTERISTICS

| Symbol | Pin(s) | Parameter | Test Conditions | Min | Typ | Max | Unit |
|---|--------|---|--|------|-----|------|---------------|
| POWER-UP | | | | | | | |
| T_{pu} | | Power-up time | Guaranteed by design | – | – | 20 | ms |
| t_{wake} | | Sleep wake up time after LIN transitions detection | | – | – | 20 | ms |
| INTERNAL OSCILLATOR | | | | | | | |
| f_{osc} | | Frequency of internal oscillator | $V_{BB} = 14\text{ V}$ | 1.8 | 2 | 2.2 | MHz |
| LIN TRANSMITTER CHARACTERISTICS ACCORDING TO LIN v2.0 & v2.1 | | | | | | | |
| D1 | LIN | Duty cycle 1 = $(t_{Bus_rec(min)} / (2 \times t_{Bit})) \times 100$ See Figure 5 | THRec(max) = $0.744 \times V_{BB}$ THDom(max) = $0.581 \times V_{BB}$; $7.0\text{ V} < V_{BB} < 18\text{ V}$; $t_{Bit} = 50\ \mu\text{s}$ | 39.6 | – | – | % |
| D2 | | Duty cycle 2 = $(t_{Bus_rec(max)} / (2 \times t_{Bit})) \times 100$ See Figure 5 | THRec(min) = $0.284 \times V_{BB}$ THDom(min) = $0.422 \times V_{BB}$; $7.6\text{ V} < V_{BB} < 18\text{ V}$; $t_{Bit} = 50\ \mu\text{s}$ | – | – | 58.1 | % |
| LED DRIVERS | | | | | | | |
| $F_{LEDmodulation}$ | LEDx | LED modulation frequency for MODFREQ = 0 | | 117 | 122 | 127 | Hz |
| | | LED modulation frequency for MODFREQ = 1 | | 234 | 244 | 254 | |
| T_{brise} | | Turn-on transient time | Between 10% and 90% | – | 1 | – | μs |
| T_{bfall} | | Turn-off transient time | | – | 1 | – | μs |
| $I_{LED\ settling}$ | | Settling time of Current regulators | Between 10% and 90% full scale | 0.8 | 1 | 1.5 | μs |
| THERMAL CONTROL | | | | | | | |
| $T_{Htimeout}$ | | Timeout for current reduction after TW | | – | 10 | – | s |
| ERROR RETRY CONTROL | | | | | | | |
| $t_{retryinterval}$ | | Intervalltime between retries | | 2.7 | 3 | 3.3 | s |
| $N_{numberofretries}$ | | Number of retries before LEDs are switched off definitely | | – | 20 | – | |

NCV7430

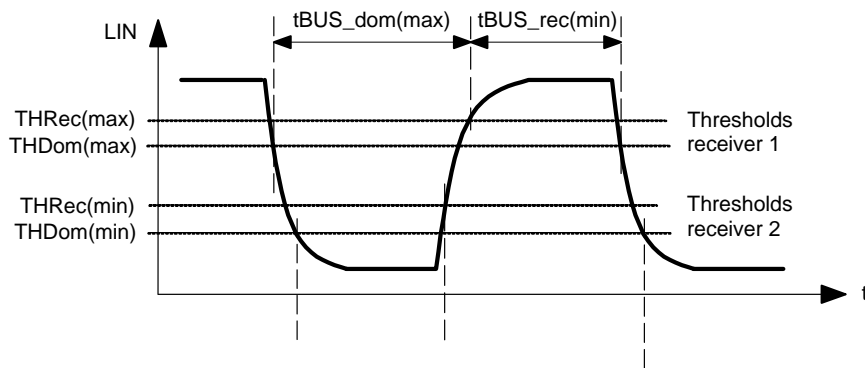


Figure 5. Timing for AC Characteristics According to LIN 2.0 and LIN 2.1

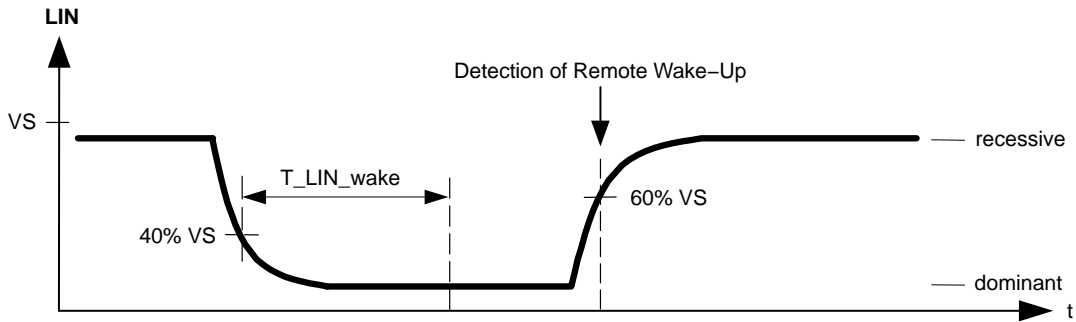


Figure 6. Timing for Wake Up from Sleep Mode via LIN Bus Transitions

LIN Timing

LIN Frames must be Sent in a Regular Manner

The internal oscillator is adapted to an accurate frequency based on the reception of multiple LIN synchronization fields. Although the NCV7430 is functional without LIN communication, the timing specifications cannot be guaranteed without periodic error-free LIN frame inputs.

Detailed Operating Description

General

The NCV7430 is an automotive 3 channel LED driver suitable for use in a broad range of applications. Although designed to drive an RGB LED, it can easily be used to drive 3 independent LEDs. Each LED is driven by a constant current source externally programmed for maximum current using external resistors.

Precise color settings for RGB LEDs is achieved using independent current modulators. The three LED modulation controllers have eleven bit resolution with a choice of base frequencies of 122 Hz or 244 Hz.

System Operation

The programmability of the NCV7430 is achieved via a LIN bus interface. The device is operated in slave mode and accepts lighting instruction commands from a bus master. The physical node address of a slave can be programmed in OTP “address bits ADx” at address 0x03: For multi node operation the NCV7430 accepts broadcast commands. With the broadcast command and four additional “GROUP_ID” bits programming of up to 16 different slave clusters can be done. In this approach each slave belongs to a specific cluster (GROUP).

NOTE: *For the Set_Color_Short and Set_Intensity commands the GROUP_ID bits are split. The lower two bits are used to assign the NCV7430 to one of four groups for the color setting, while the upper two bits are used to assign the device to one of four groups for the intensity setting.*

Power Up

The NCV7430 powers up in an active mode. Reference the “Sleep Mode” section for low power standby conditions.

The device has a VBB Power on Reset Level of 4.4 V, (max) for output drive capability. Operation of the device is

guaranteed above the 4.4 V level. All integrated circuit activity will remain off prior to breaching the 4.4 V level. All output current sources (LEDxC), current programming pins (LEDxR), error detection pin (ANODE), ballast drive pin (VBIAS), and LIN communication pin (LIN) will be high impedance below 4.4 V. The device becomes fully operational above 4.4 V with the default parameters copied from OTP and will operate up to 18 V.

The <DEFAULT> bit in OTP determines if the LEDs are enabled or disabled on power-up.

The VBB Reset bit at Byte 4, Bit 4 in the Get_Full_Status In frame response 1 gets set to a one on power up and goes to “0” after the first Get_Full_Status command.

The minimum Power On Reset Threshold is 1.9 V. The output drive is guaranteed to be inactive at or below this threshold.

NOTE: *While LIN is operational for voltages at the minimum battery voltage level of 5.75 V (typ) (VBB Under Voltage), the LIN conformance is only guaranteed for a battery voltage higher than 8 V.*

There is additional sensing of VBB with VBB Under Voltage detection (5.75 V) and is recorded at Byte 4, Bit 5 of the Get_Full_Status In frame response 1 and Byte 2, Bit 5 of Get_Status In frame response. The LIN communication pin will not accept traffic during VBB Under Voltage, but will record the VBB under voltage situation and can only be cleared with a Get_Full_Status frame.

Current Sources

The NCV7430 has three independent analog current sources driving the LEDs. The currents are programmed by a fixed 325 mV voltage reference at the LEDxR pin. The delta current through the resistor resulting from Vref1 – Vref2, equals the LED drive current at the LEDxC. Each maximum LED current (DC = Max ON) can be adjusted to a typical value up to 30.5 mA. The external resistor can be calculated as follows:

$$R = \frac{325 \text{ mV} - 20 \text{ mV}}{I_{LEDhigh}} \quad (\text{eq. 1})$$

For $I_{LEDhigh} = 30.5 \text{ mA}$ the resistor is:

$$R = \frac{0.305 \text{ V}}{0.0305 \text{ A}} = 10 \Omega$$

When not being modulated for color setting purposes, or under abnormal or error conditions, the LEDs can be switched on and off independently by their <LEDx ENABLE> bit in the control register. Additionally, bit <LEDs ON/OFF> will activate and deactivate all LEDs at the same time. When there are error conditions, the LEDs will not turn on.

NOTE: *The LED modulation current regulator switches between $I_{LEDhigh}$ and a reduced current, I_{LEDlow} . The reduced current value is determined by a low reference voltage V_{ref2} . All references to Max ON duty cycle in this datasheet run at 2040/2048 duty cycle to provide for internal analog compensation.*

LED Modulation Sources

Each LED output has its own LED modulation controller. The NCV7430 blends the modulated LED currents in an RGB LED to create colors. The NCV7430 provides additional OTP registers for each channel to store color calibration factors. The calibration factors are used by the NCV7430 to create the modulation needed for an exact color setting.

The calibration functionality can be enabled and disabled via the CAL_EN bit. If the CAL_EN bit is ‘0’, the LIN command (8 bit) is save into the modulation registers. When the CAL_EN is set to ‘1’, the received modulation values are first corrected, and then stored in the LED modulation registers.

For the calibration a matrix calculation is used. The matrix has the following form:

LED Modulation Matrix

$$\begin{aligned} \text{LED1}' &= ((a_{11} + 1) \cdot \text{LED1} + (a_{12} + 0) \cdot \text{LED2} + (a_{13} + 0) \cdot \text{LED3})/32 \\ \text{LED2}' &= ((a_{21} + 0) \cdot \text{LED1} + (a_{22} + 1) \cdot \text{LED2} + (a_{23} + 0) \cdot \text{LED3})/32 \quad (\text{eq. 2}) \\ \text{LED3}' &= ((a_{31} + 0) \cdot \text{LED1} + (a_{32} + 0) \cdot \text{LED2} + (a_{33} + 1) \cdot \text{LED3})/32 \end{aligned}$$

The calibration factors have a value of eight bits and fraction the programmed LED modulation value between 0% and Max ON duty cycle.

With high values chosen for the coefficients in one row, the calculation can cross the Max ON duty cycle boundary (clipping) for the color. As a rule: For proper design, the sum of the calibration values should stay under Max ON duty cycle to prevent color saturation.

If one of the calculated LED1', LED2', or LED3' values exceeds the upper practical boundaries of Max ON duty cycle, the modulator automatically adapts the modulation speed to the color that exceeded the Max ON duty cycle. This method guarantees that the color integrity is maintained.

The calibration factors a11 to a33 reside in nine dedicated OTP registers:

(0x04 to 0x08, and 0x0A to 0x0D):

LED modulation Calibration data a11 to a33.

These registers can be programmed in OTP and are generally used for the compensation of LED colors which occur due to system design changes and lot-to-lot variation of LEDs.

LED Intensity

The overall intensity of the LEDs is programmable with a four bit scaling factor that is applied over the LED modulation. The register containing this value is AMBLIGHTINTENSITY. The scaling is linear. The light output function is described with the following formula:

Intensity Matrix

$$\begin{Bmatrix} \text{LED1int} \\ \text{LED2int} \\ \text{LED3int} \end{Bmatrix} = \left(\frac{\text{AMBLIGHTINTENSITY}}{16} \right) * \begin{Bmatrix} \text{LED1}' \\ \text{LED2}' \\ \text{LED3}' \end{Bmatrix} \text{ (eq. 3)}$$

If the intensity value is set to 15 the used value for the calculation is 16, resulting in a multiplication factor of 1 (no intensity reduction). Changing the intensity from one to another value can follow a linear or logarithmic transition based on the fading time as described in "Theatre dimming function".

LED Modulation Frequency

The LED modulation frequency can be chosen to be 122 or 244 Hz.

Theatre Dimming Function

The NCV7430 has a fading function to give a theater dimming effect when changing color and/or intensity settings. The effect presents itself as a smooth transition between colors, or increases or decreases in intensity.

Transitions from color to color, or changes in intensity will vary in a linear fashion through the color/intensity spectrum (optional logarithmic mode for intensity). The fading time can be set between 0 and 6.3 seconds via a 6 bit register giving a resolution of 0.1 second. The fading function can be enabled and disabled by programming the FADING ON/OFF bit in the control registers. The default state of this bit depends on the <DEFAULT> bit that is set in OTP memory.

Intensity – Linear or logarithmic dimming

Color – Linear dimming only

LED Update Modes

Bits <UPDATECOLOR[1:0]> are used to enable the NCV7430 for operation in different update modes. The following modes are implemented:

UPDATECOLOR:

| | |
|----|-------------------------------------|
| 00 | immediate update |
| 01 | store and do not update |
| 10 | update to the already stored values |
| 11 | discard |

The UPDATECOLOR bits are included in the command Set_Color (Byte 5, Bits 6 and 7).

Short Circuit and Open Circuit Detection

The NCV7430 provides protection features for each LED driver. The device monitors for LED Open Circuit (ANODE to LEDxC), LED Short Circuit (ANODE to LEDxC), Short LEDxC to GND and Open Circuit RSENSE (LEDxR to GND) as shown in Figure 7. Detection of these errors will set the appropriate error bits in the status register (<ERRLEDx[2:0]>), and proper action will be taken (reference Table 7).

There is a minimum detection activation time of 8 μsec for error detection (use of a 0.2% duty cycle is recommended). This is derived from a combination of color, intensity levels, and PWM frequency settings (122 Hz or 244 Hz). The system design should monitor error detection at high intensity settings to avoid missing short or open circuit conditions at low duty cycles. LEDxC shorts to ground do not require a minimum duty cycle.

Additionally, error detection must be sequential (transitioning from a known good state to an error state). Mixing of errors (i.e. transitioning from a short condition to an open condition) could result in signal false errors in identity.

Table 7. ERROR CONDITIONS FOR EACH INDIVIDUAL LED

| Error Description: | ERR[2] | ERR[1] | ERR[0] | Retry Option <RETRYSTATE> | Action: |
|---|--------|--------|--------|--|----------------------------------|
| No Error | 0 | 0 | 0 | No | No Action |
| Open circuit LEDxR Short from ANODE to LEDxC | 0 | 1 | 1 | Yes | Thermal Sense |
| Short from LEDxC to GND (Note 13) "Shorted LED cathode to GND" | 0 | 1 | 0 | Yes | ANODE OFF (Note 12) LEDxC OFF |
| Open circuit (LEDxC to ANODE) | 1 | 0 | 1 | No | Thermal Sense |
| Thermal Shutdown | | | | Automatic retry below Thermal Warning Threshold | LED & ANODE OFF (Note 12) |

12. ANODE OFF is realized by internal circuitry that switches VBIAS to 0 V. The Anode can only be switched off when an external transistor is used.
 13. A short from (LEDxC) to (LEDxR), or (ANODE) to (LEDxR) may damage the device. When the external ballast transistor is not used, the LED and/or Rsense may also be damaged.

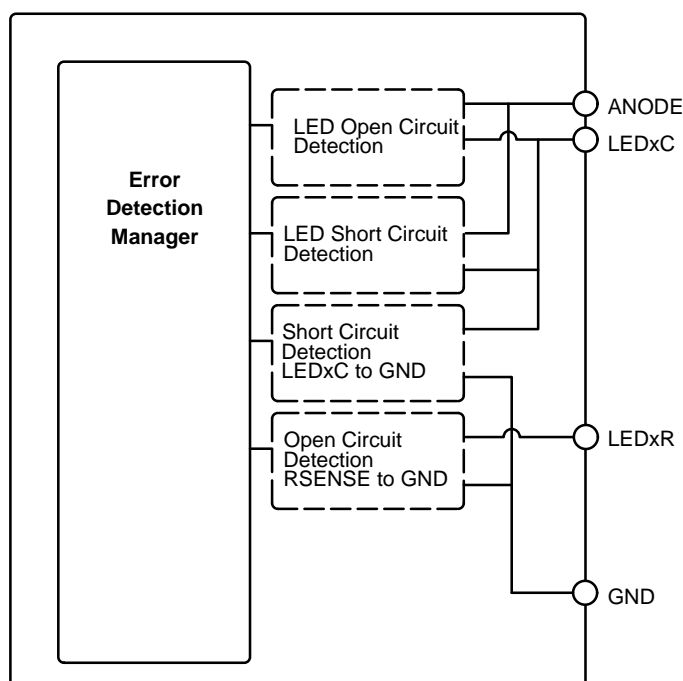


Figure 7. Short Circuit and Open Circuit Detection

Thermal Warning and Thermal Shutdown

The NCV7430 has thermal warning and thermal shutdown protection features. When the junction temperature of the NCV7430 rises above the thermal warning level ($T_{<TW>}$), the $<TW>$ warning flag is set in the status register. When the junction temperature rises above $T_{<TSD>}$, the device will switch off the LEDs, and set the $<TSD>$ flag in the status register. $<TSD>$ and $<TW>$ flags represent an event has happened and may not represent the current state of the IC. After the $<TSD>$ flag is set, the device can only enter normal operation again after it is cooled down below the $T_{<TW>}$ level. After a $<TSD>$ occurrence and the cooling down period, the NCV7430 will resume normal operation.

Thermal Control Bit

When the thermal control bit $<TH_CONT>$ is set, the NCV7430 will actively regulate the LED currents as programmed by the user when exceeding a thermal warning threshold. This function protects the device and the LEDs from overheating without interaction from the LIN master. When $T_{<TW>}$ is reached, the NCV7430 will decrease the LED currents by a step defined by the parameter TH_Ired_step . The reduction in current is represented by the status bit $<TH_CONT_STATE>$. If after $TH_{timeout}$ seconds the thermal warning condition is still present, the current is decreased further. If the thermal warning condition is removed within the $TH_{timeout}$ seconds, the NCV7430 keeps the reduced current setting for the next

THtimeout period. The reduced current state is presented by the 4 bit <TH_CONT_STATE[3:0]> register.

Under normal conditions the Thermal Warning level has the value as specified by T_{TW} . With the OTP programmable bit <TWPROG>, the Thermal warning and Thermal Shutdown levels can be reduced by 20°C.

The currents can be set back to their normal operating values by writing the <LEDs ON/OFF> bit to '1' in the control register where the bit was previously set. After this command the <TH_CONT_STATE > is reset to '0'.

Note: During thermal control the device is still protected for over temperatures at the Thermal Shutdown threshold.

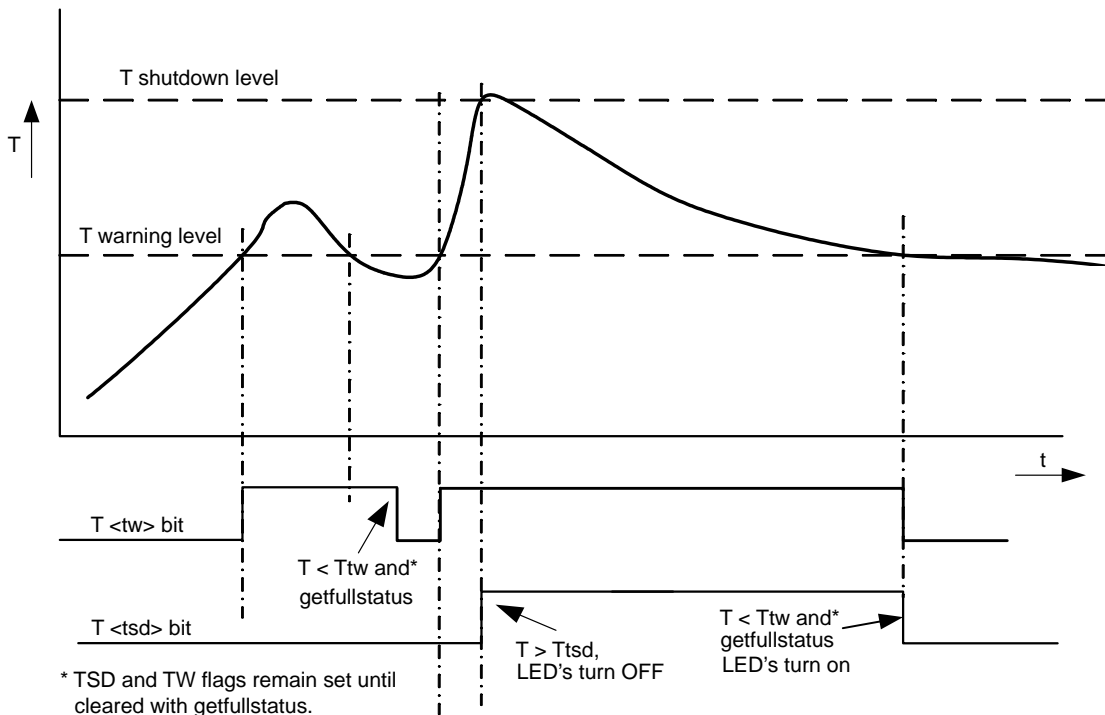


Figure 8. Thermal Management

Retry Mode

A retry mode will be entered upon error detection (as per Table 12). Information on this event is stored in the status register (bit <RETRYSTATE>).

After entering the retry mode, the device will switch ON the LED(s) after $t_{retryinterval}$. If the error(s) still exists, the device will switch OFF the LEDs. The retry actions are taken place $N_{numberofretries}$ times. After the last retry, the device will switch OFF the LEDs until a turn-on signal is reinitiated by the user via the LIN pin. This is done by resetting the internal retry counter by reading the Status Register via a GetFullStatus command. After reading, the <RETRYSTATE> and error flags are cleared.

The error conditions “Shorted LED” and “Open circuit” do not switch OFF the LEDs. For these errors, the device relies on the (always active) thermal shutdown and thermal control. When the thermal shutdown temperature threshold is reached, the device will switch OFF the LEDs (reference <ERROFF> below). When thermal control is activated, the

LED currents will be regulated as described in “Thermal warning and thermal control”.

NOTE: *Care has to be taken not to overstress the system by switching on the LEDs repeatedly after detection of errors.*

The <ERROFF> bit residing in OTP can program to act on all LEDs when an error occurs or to act only on the LED(s) that is (are) failing.

NOTE: *The NCV7430 utilizes a single timeout counter for the Retry Interval time. Additional errors occurring after the 1st error detection will cause the timer to be reset. This results in an extended retry interval time for the initial detected error. This is highlighted in Figure 9. The device attempts to turn on 20 times (after a GetFullStatus request).*

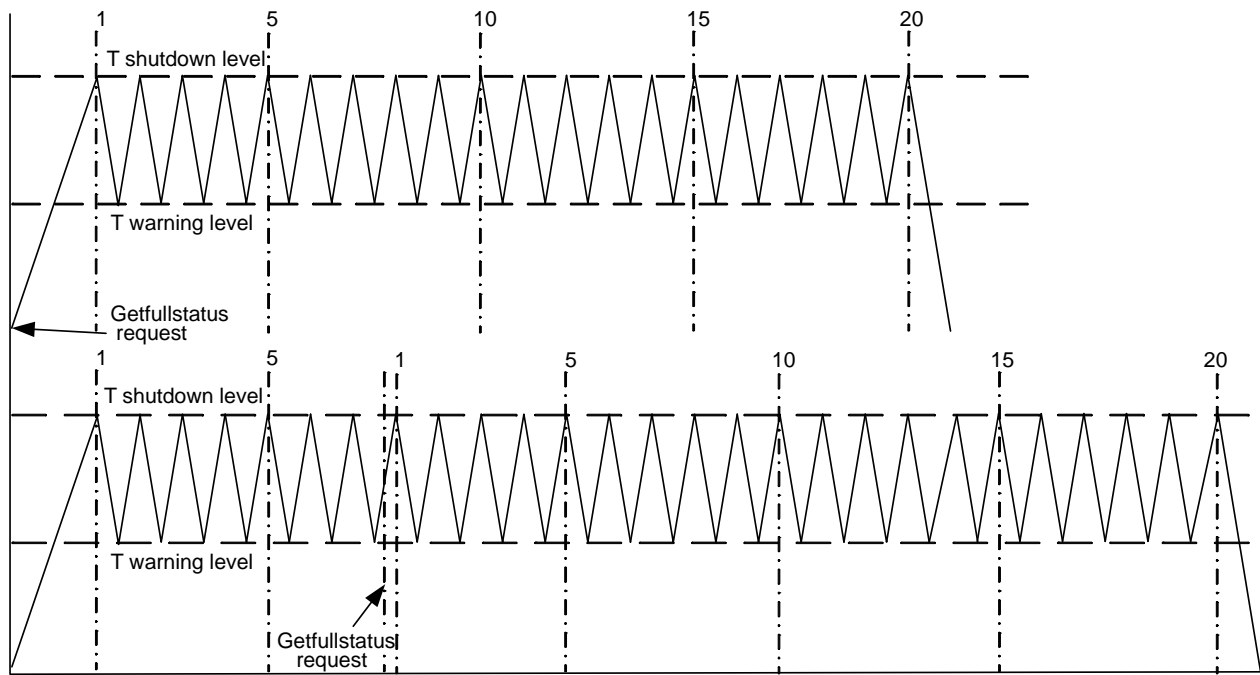


Figure 9. Retry Counter

Sleep Mode

In sleep mode, LEDs are turned OFF and the VBIAS output is brought to 0V, turning OFF the optional bypass transistor. The internal circuitry of the NCV7430, including the band gap reference, internal oscillator and current sources are put in low power mode and the internal registers are reset. In Sleep mode the total battery current consumption is reduced to I_{bat_sleep} as specified in the DC parameter table. The NCV7430 wakes up from sleep after

detection of a transition of LIN recessive state to dominant state followed by a dominant level for a time period of t_{wake} and again a rising edge from dominant to recessive.

Refer to Figure 6 for wake time and voltage threshold definitions to wake up via LIN bus transitions.

As per the LIN protocol, a special master request frame is issued to force slave nodes to sleep mode. Reference Table 29 for details of the command structure.

OTP REGISTERS

Table 8. OTP MEMORY STRUCTURE

| Address | Bit 7 | Bit 6 | Bit 5 | Bit 4 | Bit 3 | Bit 2 | Bit 1 | Bit 0 |
|---------|-------------------------------------|--------------|----------|---------|-----------|-----------|-----------|-----------|
| 0x00 | OSC4 | OSC3 | OSC2 | OSC1 | OSC0 | ZAP2 | ZAP1 | ZAP0 |
| 0x01 | TSD3 | TSD2 | TSD1 | TSD0 | BG3 | BG2 | BG1 | BG0 |
| 0x02 | DEFAULT | ERROFF | TWPROG | LOCKBT0 | PPOL3 | PPOPL2 | PPOL1 | PPOL0 |
| 0x03 | LOCKBT1 | CMDSOFF | AD5 | AD4 | AD3 | AD2 | AD1 | AD0 |
| 0x04 | LED modulation Calibration data a11 | | | | | | | |
| 0x05 | LED modulation Calibration data a12 | | | | | | | |
| 0x06 | LED modulation Calibration data a13 | | | | | | | |
| 0x07 | LED modulation Calibration data a21 | | | | | | | |
| 0x08 | LED modulation Calibration data a22 | | | | | | | |
| 0x09 | 0 | 1 | reserved | | | TWPROG2 | LOW BAUD | BALLAST |
| 0x0A | LED modulation Calibration data a23 | | | | | | | |
| 0x0B | LED modulation Calibration data a31 | | | | | | | |
| 0x0C | LED modulation Calibration data a32 | | | | | | | |
| 0x0D | LED modulation Calibration data a33 | | | | | | | |
| 0x0E | LOCKBT2 | LED_MOD_FREQ | 1 | TH_CONT | GROUP_ID3 | GROUP_ID2 | GROUP_ID1 | GROUP_ID0 |

Table 9. OTP PROGRAMMING BIT DESCRIPTION

| Programming Bit | Description |
|---------------------|---|
| DEFAULT | '1' Enables the LEDs on power-up. |
| ERROFF | '1' Turns off all LEDs during LEDxC short to ground. |
| TWPROG, TWPROG2 | (See table below) |
| LOCKBT1 | '1' Locks bits per Table 13. |
| CMDSOFF | '1' Limits command recognition to Set_Color_Short and Set_Intensity. |
| AD0 – AD5 | NCV7430 address programming bits. |
| LOW BAUD | Expected Low Baud Rate '0' = 9600 BAUD '1' = 10400 BAUD |
| BALLAST | This bit must be zapped ('1') when using an external ballast transistor. An unzapped bit with the use of a ballast transistor could result in LEDxC short to ground errors. |
| LOCKBT2 | '1' Locks bits per Table 13. |
| LED_MOD_FREQ | '0' LED modulation frequency – 122 Hz '1' LED modulation frequency – 244 Hz |
| TH_CONT | '1' Thermal Control Enabled. |
| GROUP_ID0–GROUP_ID3 | NCV7430 group programming bits. 16 possible groups. |

| Thermal Warning Temperature Select | | |
|------------------------------------|--------|-------------|
| TWPROG2 | TWPROG | Temperature |
| 0 | 1 | 95°C |
| 0 | 0 | 115°C |
| 1 | 1 | 120°C |
| 1 | 0 | 130°C |

Table 10. OTP OVERWRITE PROTECTION

| Lock Bit | Protected Bytes |
|---|--|
| LOCKBT0 (factory zapped before delivery) | 0x00 – All bits 0x01 – All bits 0x02 – bit 0 to bit 5 |
| LOCKBT1 | 0x03 0x0E – GROUP_IDx bits |
| LOCKBT2 | 0x04 to 0x0D 0x02 – DEFAULT, ERROFF, TWPROG, and TWPROG2 0x03 – CMDSOFF 0x0E – LED_MOD_FREQ and TH_CONT |

Parameters stored at address 0x00 and 0x01, and bit 0 to bit 4 of address 0x02 are pre-programmed in the OTP memory at the factory. They correspond to the calibration of the circuit. This does not correspond to LED calibration.

Each OTP bit is set to '0' prior to zapping. Zapping a bit will set it to '1'. Zapping of a bit already at '1' will have no effect.

Each OTP byte needs to be programmed separately (see command SetOTPparam). Once OTP programming is completed, bit <LOCKBT1> and <LOCKBT2> can be zapped to disable future zapping.

After programming the OTP, the contents only become active after a power on reset. The power on reset copies the OTP information to the registers.

Table 11. REGISTERS AND FLAGS

| Register | Mnemonic | Length (bit) | Related Commands | Comment | Reset State |
|--------------------------------|--------------------|--------------|---|---|--|
| LED color value LED1 | Led 1' | 8 | Get_Color Set_Color Set_Color_Short Get_Actual_param | 8-bit unsigned: 0x00 .. 0xFF | "00" |
| LED color value LED2 | Led 2' | 8 | Get_Color Set_Color Set_Color_Short Get_Actual_param | 8-bit unsigned: 0x00 .. 0xFF | "00" |
| LED color value LED3 | Led 3' | 8 | Get_Color Set_Color Set_Color_Short Get_Actual_param | 8-bit unsigned: 0x00 .. 0xFF | "00" |
| LED modulation Calibration a11 | Cal_a11 | 8 | Get_Actual_Param Set_Primary_Cal_Param | 8-bit unsigned: 0x00 .. 0xFF | From OTP or "FF" when all OTP values are "0" |
| LED modulation Calibration a22 | Cal_a22 | 8 | Get_Actual_Params Set_Primary_Cal_Param | 8-bit unsigned: 0x00 .. 0xFF | From OTP or "FF" when all OTP values are "0" |
| LED modulation Calibration a33 | Cal_a33 | 8 | Get_Actual_Param Set_Primary_Cal_Param | 8-bit unsigned: 0x00 .. 0xFF | From OTP or "FF" when all OTP values are "0" |
| LED modulation Calibration a12 | Cal_a12 | 8 | Get_Actual_Param Set_Secondary_Cal_Param | 8-bit unsigned: 0x00 .. 0xFF | FROM OTP |
| LED modulation Calibration a13 | Cal_a13 | 8 | Get_Actual_Param Set_Secondary_Cal_Param | 8-bit unsigned: 0x00 .. 0xFF | FROM OTP |
| LED modulation Calibration a21 | Cal_a21 | 8 | Get_Actual_Param Set_Secondary_Cal_Param | 8-bit unsigned: 0x00 .. 0xFF | FROM OTP |
| LED modulation Calibration a23 | Cal_a23 | 8 | Get_Actual_Param Set_Secondary_Cal_Param | 8-bit unsigned: 0x00 .. 0xFF | FROM OTP |
| LED modulation Calibration a31 | Cal_a31 | 8 | Get_Actual_Param Set_Secondary_Cal_Param | 8-bit unsigned: 0x00 .. 0xFF | FROM OTP |
| LED modulation Calibration a32 | Cal_a32 | 8 | Get_Actual_Param Set_Secondary_Cal_Param | 8-bit unsigned: 0x00 .. 0xFF | FROM OTP |
| Calibration Enable | CAL_EN | 1 | Get_LED_Control Set_LED_Control Get_Actual_Param | "0": Calibration is not used "1": Calibration is used | "1" |
| Ambient light intensity | AMBLIGHT INTENSITY | 4 | Set_Intensity | 4 bit linear scaling for intensity | "15" |
| Fading Time | Fading time[5:0] | 6 | Set_Color Get_Actual_Param | 6-bit unsigned: 0 .. 6.3 seconds in resolution steps of 0.1 secs | "00" |
| Fading ON/OFF | FADING ON/OFF | 1 | Set_Color Get_Actual_Param | "0" : Fading off "1" : Fading on | If DEFAULT = 1: "1" If DEFAULT = 0: "0" |
| Fading Slope | FADING SLOPE | 1 | Set_Color Get_Actual_Param | "0" : Fading slope logarithmic "1" : Fading slope Linear | "0" |
| Thermal Control | TH_CONT | 1 | Set_LED_Control Get_Actual_Param Get_LED_Control | "0" : Automatic thermal control Disabled "1" : Automatic thermal control Enabled | FROM OTP |
| DEFAULT state after power on | DEFAULT | 1 | Set_OTP_Param | "0" : Default power up state: LEDs and Fading OFF "1" : Default power up state: LEDs and Fading ON | FROM OTP |
| LED error detection selection | ERROFF | 1 | Set_OTP_Param | "0" : Only failing LED off when an error is detected "1" : All LEDs off when an error is detected | FROM OTP |
| Commands OFF | CMDSOFF | 1 | Set_OTP_Param | "0" : All LIN commands are validated and executed "1" : Only LIN command Set_Color_Short and Set_intensity are validated and executed, all other command are disabled for use. | FROM OTP |

Table 11. REGISTERS AND FLAGS

| Register | Mnemonic | Length (bit) | Related Commands | Comment | Reset State |
|--------------------------|--------------------|--------------|--|---|--|
| Thermal Control Status | TH_CONT_STATE[3:0] | 4 | Get_Full_Status | 4 bits unsigned "0" : current reduced to 6.25% DC "15" : current not reduced (Max ON DC) | "15" |
| TWPROG | TWPROG | 1 | Set_OTP_Param | "0" "1" Works with TWPROG2 Thermal Warning Level Set per the Temperature Select Table. | FROM OTP |
| TWPROG2 | TWPROG2 | 1 | Set_OTP_Param | "0" "1" Works with TWPROG Thermal Warning Level Set per the Temperature Select Table. | FROM OTP |
| LEDs ON/OFF | LEDs ON/OFF | 1 | Set_LED_Control Set_Color Get_LED_Control | "0" : All LEDs OFF "1" : All LEDs ON if individual LEDx ENABLE is set to "1" | If DEFAULT = 1: "1" If DEFAULT = 0: "0" |
| LED1 ENABLE | LED1 ENABLE | 1 | Set_LED_Control Get_LED_Control | "0" : LED 1 OFF "1" : LED 1 ON | If DEFAULT = 1: "1" If DEFAULT = 0: "0" |
| LED2 ENABLE | LED2 ENABLE | 1 | Set_LED_Control Get_LED_Control | "0" : LED 2 OFF "1" : LED 2 ON | If DEFAULT = 1: "1" If DEFAULT = 0: "0" |
| LED3 ENABLE | LED3 ENABLE | 1 | Set_LED_Control Get_LED_Control | "0" : LED 3 OFF "1" : LED 3 ON | If DEFAULT = 1: "1" If DEFAULT = 0: "0" |
| UPDATECOLOR mode | UPDATE_COLOR[1:0] | 2 | Set_Color | "00": immediate update "01": store and do not update "10": update to the already stored values "11": discard | "0" |
| RETRY state | RETRYSTATE | 1 | Get_Full_Status Get_Status | "0": not in retry state "1": device is retrying to recover from error | "0" |
| LED modulation frequency | LED_MOD_FREQ | 1 | Set_LED_Control Get_Actual_Param Get_LED_Control | "0" : 122 Hz "1" : 244 Hz | FROM OTP |
| ERROR LED 1 | ERRLED1[2:0] | 3 | Get_Full_Status GetStatus | Refer to Table 8 | "x" |
| ERROR LED 2 | ERRLED2[2:0] | 3 | Get_Full_Status GetStatus | Refer to Table 8 | "x" |
| ERROR LED 3 | ERRLED3[2:0] | 3 | Get_Full_Status GetStatus | Refer to Table 8 | "x" |
| Thermal warning | TW | 1 | Get_Full_Status GetStatus | Thermal warning detected | "x" |
| Thermal Shutdown | TSD | 1 | Get_Full_Status GetStatus | Thermal Shutdown detected | "x" |
| Tinfo | Tinfo[1:0] | 2 | Get_Full_Status | 00: $T < T_{<TW>}$ 01: $T_{<TW>} < T < T_{<TSD>}$ 11: $T > T_{<TSD>}$ | "x" |
| VBB_reset | VBB_Reset | 1 | Get_Full_Status | POR reset detected | "1" |
| LIN Data Error | Lin Data Error | 1 | Get_Full_Status | Checksum Error + Stopbit Error + Length Error | "x" |
| LIN Header Error | LIN Header Error | 1 | Get_Full_Status | Parity Error + Synch field Error | "x" |
| LIN Bit Error | LIN Bit Error | 1 | Get_Full_Status | Difference in sent and monitored bit | "x" |

LIN CONTROLLER

General Description

The LIN (local interconnect network) is a serial communications protocol that efficiently supports the control of distributed nodes in automotive applications. The physical interface implemented in the NCV7430 is compliant to the LIN rev. 2.0 & 2.1 specifications. It features a slave node, thus allowing for:

- single-master / multiple-slave communication
- self synchronization without quartz or ceramics resonator in the slave nodes
- guaranteed latency times for signal transmission
- single-signal-wire communication
- transmission speed of 19.2 kbit/s, 10.4 kbit/s and 9.6 kbit/s
- selectable length of Message Frame: 2, 4, and 8 bytes
- configuration flexibility
- data checksum (classic checksum) security and error detection
- detection of defective nodes in the network

It includes the analog physical layer and the digital protocol handler.

The analog circuitry implements a low side driver with a pull-up resistor as a transmitter, and a resistive divider with a comparator as a receiver. The specification of the line driver/receiver follows the ISO 9141 standard with some enhancements regarding the EMI behavior.

Slave Operational Range for Proper Self Synchronization

The LIN interface will synchronize properly in the following conditions:

- Vbat: sufficiently high
- Ground shift between master node and slave node < ±1 V

It is highly recommended to use the same type of reverse battery voltage protection diode for the Master and the Slave nodes.

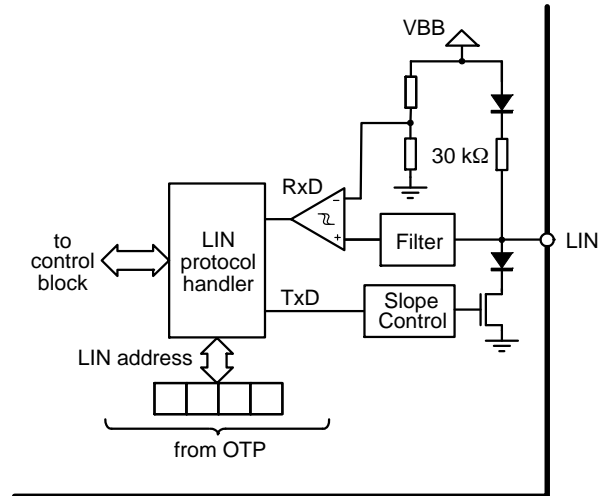


Figure 10.

Functional Description

Analog Part

The transmitter is a low-side driver with a pull-up resistor and slope control. The receiver mainly consists of a comparator with a threshold equal to $V_{BB}/2$. Figure 5 shows the characteristics of the transmitted and received signal. See [AC Parameters](#) for timing values.

Protocol Handler

This block implements:

- Bit synchronization
- Bit timing
- The MAC layer
- The LLC layer
- The supervisor

Error Status Register

The LIN interface implements a register containing an error status of the LIN communication. This register is as follows:

Table 12. LIN ERROR REGISTER

| Bit 7 | Bit 6 | Bit 5 | Bit 4 | Bit 3 | Bit 2 | Bit 1 | Bit 0 |
|----------|----------|----------|----------|----------|-----------------|-------------------|----------------|
| Not used | Not used | Not used | Not used | Not used | Data error Flag | Header error Flag | Bit error Flag |

With:

Data error flag: (= Checksum error + StopBit error + Length error)

Header error flag: (= Parity error + SynchField error)

Bit error flag: Difference in bit sent and bit monitored on the LIN bus

A [GetFullStatus](#) frame will reset the LIN error status register.

Physical Address of the Circuit

The circuit must be provided with a node address in order to discriminate this circuit from other ones on the LIN bus. This address is coded on 6 bits, yielding the theoretical possibility of 64 different devices on the same (logical) bus. However the maximum number of nodes in a LIN network is also limited by the physical properties of the bus line.

Beside the node address a 4 bit “GROUP_ID” identifier is available. This “GROUP_ID” identifier is only evaluated when the Broad bit is recognized as ‘0’. The “GROUP_ID” identifier assigns the node to one of 16 groups. The node can only be assigned to one group. The LIN message will use 16 bit locations for the Groups. When the Node “GROUP_ID” identifier matches the bit in the message, the message will be evaluated. Refer to Figure 8.

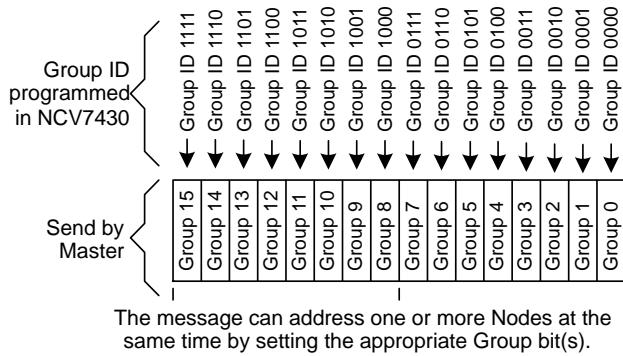


Figure 11.

Resuming: The NCV7430 is individually addressable by its LIN node address and cluster addressable via the “Group” bits when ‘Broad’ is ‘0’.

NOTE: For the *Set_Color_Short* and *Set_Intensity* commands the *GROUP_ID* bits are split. The lower two bits are used to assign the NCV7430 to one of four groups for the color setting, while the upper two bits are used to assign the device to one of four groups for the intensity setting.

BAUD Rate

The NCV7430 device automatically distinguishes between high and low baud rates.

A high baud rate of 19200 transmitted by the master will be duplicated by the slave.

There are two low baud rates in use between the US and Europe. They are 9600 and 10400. To eliminate possible confusion between these two closely related frequencies, the device is programmable via the OTP register to select between the two frequencies (reference Table 8).

LIN Frames

The LIN frames can be divided in writing and reading frames. A frame is composed of an 8-bit Identifier followed by 2, 4 or 8 data-bytes and a checksum byte.

NOTE: The checksum conforms to LIN 1.3. This means that all identifiers are validated with classic checksum.

Writing frames will be used to:

- Program the OTP Memory;
- Configure the LED parameters (Modulation value etc);
- Control of the LED Outputs.

Whereas reading frames will be used to:

- Get status information such as error flags;
- Reading OTP for calibration by MCU;
- Verify the right programming and configuration of the component.

Writing Frames

The LIN master sends commands and/or information to the slave nodes by means of a writing frame. According to the LIN specification, identifiers are to be used to determine a specific action. If a physical addressing is needed, then some bits of the data field can be dedicated to this, as illustrated in the example below.

| Identifier Byte | | | | | | | | Data Byte 1 | | | | Data Byte 2 | | | |
|-----------------|------|------|------|------|------|------|------|---------------|--|--|--|------------------------------------|--|--|--|
| ID 0 | ID 1 | ID 2 | ID 3 | ID 4 | ID 5 | ID 6 | ID 7 | | | | | | | | |
| | | | | | | | | phys. address | | | | command parameters (e.g. position) | | | |

<ID6> and <ID7> are used for parity check over <ID0> to <ID5>, conforming to LIN2.1 specification. <ID6> = <ID0> ⊕ <ID1> ⊕ <ID2> ⊕ <ID4> (even parity) and <ID7> = NOT(<ID1> ⊕ <ID3> ⊕ <ID4> ⊕ <ID5>) (odd parity).

NCV7430

Another possibility is to determine the specific action within the data field in order to use fewer identifiers. One can for example use the reserved identifier 0x3C and take advantage of the 8 byte data field to provide a physical address, a command and the needed parameters for the action, as illustrated in the example below.

| ID | | Data Byte 1 | Data Byte 2 | Data Byte 3 | Data Byte 4 | Data Byte 5 | Data Byte 6 | Data Byte 7 | Data Byte 8 |
|------|----|-------------|-------------|------------------|-------------|-------------|-------------|-------------|-------------|
| 0x3C | 00 | | 1 | | | | | | |
| | | AppCmd | command | physical address | parameters | | | | |

NOTE: Bit 7 of Data byte 1 must be at ‘1’ since the LIN specification requires that contents from 0x00 to 0x7F must be reserved for broadcast messages (0x00 being for the “Sleep” message). See also LIN command [Sleep](#). The NCV7430 is using both of above mentioned methods.

LIN Commands:

In the following paragraphs all LIN frame commands are described. The gray filled cells of the tables present the bytes sent by the master while the white cells present the bytes sent by the slave (NCV7430).

Table 13. COMMAND SUMMARY

| Command | Response |
|-------------------------------|--------------------------------------|
| Get_Full_Status | Get_Full_Status In frame response 1 |
| Get_Actual_Param1 | Get_Actual_Param In frame response 1 |
| Get_Actual_Param2 | Get_Actual_Param In frame response 2 |
| Get_OTP_Param 1 | Get_OTP_Param In frame response 1 |
| Get_OTP_Param 2 | Get_OTP_Param In frame response 2 |
| Get_Status READING FRAME | Get_Status In frame response 1 |
| Get_Color READING FRAME | Get_Color In frame response 1 |
| Get_LED_Control READING FRAME | Get_LED In frame response 1 |
| Set_LED_Control WRITING FRAME | – |
| Set_Color WRITING FRAME | – |
| Set_Color_Short | – |
| Set_Intensity | – |
| Set_Primary_Cal_Param | – |
| Set_Secondary_Cal_Param | – |
| Set_OTP_Param | – |
| Sleep | – |

NCV7430

Get_Full_Status

This command is provided to the circuit by the LIN master to get a complete status of the circuit. Refer to [Registers and Flags Table](#) to see the meaning of the parameters sent to the LIN master.

Note: A Get_Full_Status command will clear flags <TW>, <TSD>, <ERRLEDx[2:0]>, <VBB_Reset> and <RETRYSTATE>. If the error condition persists, the value will be set again.

Get_Full_Status conforms to a 0x3C command structure.

Table 14. Get_Full_Status

| Byte | Content | Structure | | | | | | | |
|------|------------|----------------------------|-----------------|---------|-------|-------|-------|-------|-------|
| | | Bit 7 | Bit 6 | Bit 5 | Bit 4 | Bit 3 | Bit 2 | Bit 1 | Bit 0 |
| 0 | Identifier | 0 | 0 | 1 | 1 | 1 | 1 | 0 | 0 |
| 1 | Data 1 | AppCMD = 0x80 | | | | | | | |
| 2 | Data 2 | 1 | CMD[6:0] = 0x01 | | | | | | |
| 3 | Data 3 | 1 | 1 | AD[5:0] | | | | | |
| 4 | Data 4 | 0xFF | | | | | | | |
| 5 | Data 5 | 0xFF | | | | | | | |
| 6 | Data 6 | 0xFF | | | | | | | |
| 7 | Data 7 | 0xFF | | | | | | | |
| 8 | Data 8 | 0xFF | | | | | | | |
| 9 | Checksum | Classic Checksum over data | | | | | | | |

| Get_Full_Status In frame response 1 | | | | | | | | | |
|-------------------------------------|------------|----------------------------|-----------------|-------------------|-----------------|-------------|----------------|------------------|---------------|
| Byte | Content | Structure | | | | | | | |
| | | Bit 7 | Bit 6 | Bit 5 | Bit 4 | Bit 3 | Bit 2 | Bit 1 | Bit 0 |
| 0 | Identifier | 0 | 1 | 1 | 1 | 1 | 1 | 0 | 1 |
| 1 | Data 1 | 1 | 1 | AD[5:0] | | | | | |
| 2 | Data 2 | 0xFF | | | | | | | |
| 3 | Data 3 | 1 | 1 | 1 | 1 | 1 | LIN Data error | LIN Header error | LIN Bit error |
| 4 | Data 4 | 1 | 1 | VBB Under Voltage | VBB Reset | TSD | TW | Tinfo[1:0] | |
| 5 | Data 5 | TH_CONT STATE 3 | TH_CONT STATE 2 | TH_CONT STATE 1 | TH_CONT STATE 0 | RETRY STATE | ERR[2] LED1 | ERR[1] LED1 | ERR[0] LED1 |
| 6 | Data 6 | 1 | ERR[2] LED3 | ERR[1] LED3 | ERR[0] LED3 | 1 | ERR[2] LED2 | ERR[1] LED2 | ERR[0] LED2 |
| 7 | Data 7 | LED3 ENABLE | LED2 ENABLE | LED1 ENABLE | LEDs ON/OFF | GROUP_ID3 | GROUP_ID2 | GROUP_ID1 | GROUP_ID0 |
| 8 | Data 8 | 0xFF | | | | | | | |
| 9 | Checksum | Classic Checksum over data | | | | | | | |

Where:

Tinfo[1:0] gives the actual state of the temperature, while TW and TSD present the Latched status

The Error states are as follows:

| Error Description: | ERR[2] LEDx | ERR[1] LEDx | ERR[0] LEDx |
|---|-------------|-------------|-------------|
| No Error | 0 | 0 | 0 |
| Open circuit – LEDxR, Short from ANODE to LEDxC | 0 | 1 | 1 |
| Open circuit – LEDxC to ANODE | 1 | 0 | 1 |
| Short from LEDxC to Ground | 0 | 1 | 0 |

NCV7430

The TH_CONT_STATE[3:0] read only bits represent the degree of current reduction when the thermal control bit <TH_CONT> is set .

| TH_CONT_STATE[3:0] | Current in % of Nominal |
|--------------------|-------------------------|
| 15 | Max ON |
| 14 | 93.75 |
| 13 | 87.50 |
| 12 | 81.25 |
| 11 | 75.00 |
| 10 | 68.75 |
| 9 | 62.50 |
| 8 | 56.25 |
| 7 | 50.00 |
| 6 | 43.75 |
| 5 | 37.50 |
| 4 | 31.25 |
| 3 | 25.00 |
| 2 | 18.75 |
| 1 | 12.50 |
| 0 | 6.25 |

NCV7430

Get_Actual_Param

Reads the full set of the actual parameters of the NCV7430. For this command two messages are needed. This is a 0x3C command requiring an in frame slave responses.

Table 15. Get_Actual_Param1

| Byte | Content | Structure | | | | | | | |
|---|------------|--|-----------------|-------------------|-------|-------|-------|-------|-------|
| | | Bit 7 | Bit 6 | Bit 5 | Bit 4 | Bit 3 | Bit 2 | Bit 1 | Bit 0 |
| 0 | Identifier | 0 | 0 | 1 | 1 | 1 | 1 | 0 | 0 |
| 1 | Data 1 | AppCMD =0x80 | | | | | | | |
| 2 | Data 2 | 1 | CMD[6:0] = 0x02 | | | | | | |
| 3 | Data 3 | 1 | 1 | AD[5:0] | | | | | |
| 4 | Data 4 | 0xFF | | | | | | | |
| 5 | Data 5 | 0xFF | | | | | | | |
| 6 | Data 6 | 0xFF | | | | | | | |
| 7 | Data 7 | 0xFF | | | | | | | |
| 8 | Data 8 | 0xFF | | | | | | | |
| 9 | Checksum | Classic Checksum over data | | | | | | | |
| Get_Actual_Param In frame response 1 | | | | | | | | | |
| Byte | Content | Structure | | | | | | | |
| | | Bit 7 | Bit 6 | Bit 5 | Bit 4 | Bit 3 | Bit 2 | Bit 1 | Bit 0 |
| 0 | Identifier | 0 | 1 | 1 | 1 | 1 | 1 | 0 | 1 |
| 1 | Data 1 | 1 | 1 | AD[5:0] | | | | | |
| 2 | Data 2 | LED color value LED 1 [7:0] | | | | | | | |
| 3 | Data 3 | LED color value LED 2 [7:0] | | | | | | | |
| 4 | Data 4 | LED color value LED 3 [7:0] | | | | | | | |
| 5 | Data 5 | LED modulation Calibration data a11[7:0] | | | | | | | |
| 6 | Data 6 | LED modulation Calibration data a22[7:0] | | | | | | | |
| 7 | Data 7 | LED modulation Calibration data a33[7:0] | | | | | | | |
| 8 | Data 8 | FADING ON/OFF | FADING SLOPE | Fading- time[5:0] | | | | | |
| 9 | Checksum | Classic Checksum over data | | | | | | | |

Table 16. Get_Actual_Param2

| Byte | Content | Structure | | | | | | | |
|---|------------|---|-----------------|---------|---------|-----------|-----------|-----------|-----------|
| | | Bit 7 | Bit 6 | Bit 5 | Bit 4 | Bit 3 | Bit 2 | Bit 1 | Bit 0 |
| 0 | Identifier | 0 | 0 | 1 | 1 | 1 | 1 | 0 | 0 |
| 1 | Data 1 | AppCMD =0x80 | | | | | | | |
| 2 | Data 2 | 1 | CMD[6:0] = 0x03 | | | | | | |
| 3 | Data 3 | 1 | 1 | AD[5:0] | | | | | |
| 4 | Data 4 | 0xFF | | | | | | | |
| 5 | Data 5 | 0xFF | | | | | | | |
| 6 | Data 6 | 0xFF | | | | | | | |
| 7 | Data 7 | 0xFF | | | | | | | |
| 8 | Data 8 | 0xFF | | | | | | | |
| 9 | Checksum | Classic Checksum over data | | | | | | | |
| Get_Actual_Param In frame response 2 | | | | | | | | | |
| Byte | Content | Structure | | | | | | | |
| | | Bit 7 | Bit 6 | Bit 5 | Bit 4 | Bit 3 | Bit 2 | Bit 1 | Bit 0 |
| 0 | Identifier | 0 | 1 | 1 | 1 | 1 | 1 | 0 | 1 |
| 1 | Data 1 | 1 | 1 | AD[5:0] | | | | | |
| 2 | Data 2 | LED modulation Calibration value a12[7:0] | | | | | | | |
| 3 | Data 3 | LED modulation Calibration value a13[7:0] | | | | | | | |
| 4 | Data 4 | LED modulation Calibration value a21[7:0] | | | | | | | |
| 5 | Data 5 | LED modulation Calibration value a23[7:0] | | | | | | | |
| 6 | Data 6 | LED modulation Calibration value a31[7:0] | | | | | | | |
| 7 | Data 7 | LED modulation Calibration value a32[7:0] | | | | | | | |
| 8 | Data 8 | CAL_EN | LED_MOD_FREQ | 1 | TH CONT | GROUP_ID3 | GROUP_ID2 | GROUP_ID1 | GROUP_ID0 |
| 9 | Checksum | Classic Checksum over data | | | | | | | |

NCV7430

Get_OTP_Param

Reads the full set of OTP settings of the NCV7430. For this command two messages are needed. This is a 0x3C command requiring an in frame slave response.

Table 17. Get_OTP_Param 1

| Byte | Content | Structure | | | | | | | |
|------|------------|----------------------------|-----------------|---------|-------|-------|-------|-------|-------|
| | | Bit 7 | Bit 6 | Bit 5 | Bit 4 | Bit 3 | Bit 2 | Bit 1 | Bit 0 |
| 0 | Identifier | 0 | 0 | 1 | 1 | 1 | 1 | 0 | 0 |
| 1 | Data 1 | AppCMD =0x80 | | | | | | | |
| 2 | Data 2 | 1 | CMD[6:0] = 0x04 | | | | | | |
| 3 | Data 3 | 1 | 1 | AD[5:0] | | | | | |
| 4 | Data 4 | 0xFF | | | | | | | |
| 5 | Data 5 | 0xFF | | | | | | | |
| 6 | Data 6 | 0xFF | | | | | | | |
| 7 | Data 7 | 0xFF | | | | | | | |
| 8 | Data 8 | 0xFF | | | | | | | |
| 9 | Checksum | Classic Checksum over data | | | | | | | |

Get_OTP_Param In frame response 1

| Byte | Content | Structure | | | | | | | |
|------|------------|--|---------|---------|-------|-------|-------|----------|------------|
| | | Bit 7 | Bit 6 | Bit 5 | Bit 4 | Bit 3 | Bit 2 | Bit 1 | Bit 0 |
| 0 | Identifier | 0 | 1 | 1 | 1 | 1 | 1 | 0 | 1 |
| 1 | Data 1 | 1 | 1 | AD[5:0] | | | | | |
| 2 | Data 2 | 1 | 1 | 1 | 1 | 1 | 1 | LOW BAUD | DIAGALLOFF |
| 3 | Data 3 | 1 | 1 | 1 | 1 | 1 | 1 | 1 | 1 |
| 4 | Data 4 | DEFAULT | ERROFF | TWPROG | 1 | 1 | 1 | 1 | 1 |
| 5 | Data 5 | LOCKBT1 | CMDSOFF | AD5 | AD4 | AD3 | AD2 | AD1 | AD0 |
| 6 | Data 6 | LED modulation Calibration data a11[7:0] | | | | | | | |
| 7 | Data 7 | LED modulation Calibration data a12[7:0] | | | | | | | |
| 8 | Data 8 | LED modulation Calibration data a13[7:0] | | | | | | | |
| 9 | Checksum | Classic Checksum over data | | | | | | | |

NOTE: After programming bit <CMDSOFF> all the LIN commands (except Set_Color_Short and Set_intensity) are disabled (The commands are not evaluated and interpreted by the NCV7430).

NCV7430

Table 18. Get_OTP_Param 2

| Byte | Content | Structure | | | | | | | |
|--|------------|--|-----------------|---------|----------|-----------|-----------|-----------|-----------|
| | | Bit 7 | Bit 6 | Bit 5 | Bit 4 | Bit 3 | Bit 2 | Bit 1 | Bit 0 |
| 0 | Identifier | 0 | 0 | 1 | 1 | 1 | 1 | 1 | 0 |
| 1 | Data 1 | AppCMD =0x80 | | | | | | | |
| 2 | Data 2 | 1 | CMD[6:0] = 0x05 | | | | | | |
| 3 | Data 3 | 1 | 1 | AD[5:0] | | | | | |
| 4 | Data 4 | 0xFF | | | | | | | |
| 5 | Data 5 | 0xFF | | | | | | | |
| 6 | Data 6 | 0xFF | | | | | | | |
| 7 | Data 7 | 0xFF | | | | | | | |
| 8 | Data 8 | 0xFF | | | | | | | |
| 9 | Checksum | Classic Checksum over data | | | | | | | |
| Get_OTP_Param In frame response 2 | | | | | | | | | |
| Byte | Content | Structure | | | | | | | |
| | | Bit 7 | Bit 6 | Bit 5 | Bit 4 | Bit 3 | Bit 2 | Bit 1 | Bit 0 |
| 0 | Identifier | 0 | 1 | 1 | 1 | 1 | 1 | 0 | 1 |
| 1 | Data 1 | 1 | 1 | AD[5:0] | | | | | |
| 2 | Data 2 | LED modulation Calibration data a21[7:0] | | | | | | | |
| 3 | Data 3 | LED modulation Calibration data a22[7:0] | | | | | | | |
| 4 | Data 4 | LED modulation Calibration data a23[7:0] | | | | | | | |
| 5 | Data 5 | LED modulation Calibration data a31[7:0] | | | | | | | |
| 6 | Data 6 | LED modulation Calibration data a32[7:0] | | | | | | | |
| 7 | Data 7 | LED modulation Calibration data a33[7:0] | | | | | | | |
| 8 | Data 8 | LOCKBT2 | LED_MOD_FREQ | 1 | TH_CO NT | GROUP_ID3 | GROUP_ID2 | GROUP_ID1 | GROUP_ID0 |
| 9 | Checksum | Classic Checksum over data | | | | | | | |

Get_Status

This command delivers a short overview of the device status. It will not attempt to reset the error bits. Resetting error bits requires execution of the Get_Full_Status command.

Conform a two byte in frame command structure.

Table 19. Get_Status READING FRAME

| Byte | Content | Structure | | | | | | | |
|---------------------------------------|------------|----------------------------|-------|-------------------|-------------|------------|-----------|-----------|-----------|
| | | Bit 7 | Bit 6 | Bit 5 | Bit 4 | Bit 3 | Bit 2 | Bit 1 | Bit 0 |
| 0 | Identifier | 0 | 0 | 1 | 0 | 0 | 0 | 0 | 0 |
| 1 | Data 1 | 1 | 1 | AD[5:0] | | | | | |
| 2 | Data 2 | 8'hFF | | | | | | | |
| 3 | Checksum | Classic Checksum over data | | | | | | | |
| Get_Status In frame response 1 | | | | | | | | | |
| 0 | Identifier | 0 | 0 | 0 | 1 | 0 | 0 | 0 | 1 |
| 1 | Data 1 | 1 | 1 | AD[5:0] | | | | | |
| 2 | Data 2 | TSD | TW | VBB Under Voltage | RETRY STATE | ERROR LED3 | ERRORLED2 | ERRORLED1 | LIN ERROR |
| 3 | Checksum | Classic Checksum over data | | | | | | | |

Where:

LIN ERROR = Or function of all LIN Errors

Error LED1 = function ERRLED1[2:0] ≠ 0; refer to Table 8

Error LED2 = function ERRLED2[2:0] ≠ 0; refer to Table 8

Error LED3 = function ERRLED3[2:0] ≠ 0; refer to Table 8

RETRY STATE = NCV7430 is retrying to recover from errors

VBB Under Voltage = “0” at power on reset. Set to a “1” with VBB under voltage. Cleared with a GET_FULL_STATUS command.

NCV7430

Get_Color

Gives the real modulation register values (after calibration).

Conform an eight byte in frame command structure.

Table 20. Get_Color READING FRAME

| Byte | Content | Structure | | | | | | | |
|--------------------------------------|------------|--|--------------|-----------------|------------------------------|------------------------------|------------------------------------|-------|-------|
| | | Bit 7 | Bit 6 | Bit 5 | Bit 4 | Bit 3 | Bit 2 | Bit 1 | Bit 0 |
| 0 | Identifier | 0 | 0 | 1 | 0 | 0 | 0 | 0 | 0 |
| 1 | Data 1 | 1 | 1 | AD[5:0] | | | | | |
| 2 | Data 2 | 8'hFF | | | | | | | |
| 3 | Checksum | Classic Checksum over data | | | | | | | |
| Get_Color In frame response 1 | | | | | | | | | |
| Byte | Content | Structure | | | | | | | |
| | | Bit 7 | Bit 6 | Bit 5 | Bit 4 | Bit 3 | Bit 2 | Bit 1 | Bit 0 |
| 0 | Identifier | 1 | 0 | 0 | 1 | 0 | 0 | 1 | 0 |
| 1 | Data 1 | 1 | 1 | AD[5:0] | | | | | |
| 2 | Data 2 | LED modulation value LED 1' [7:0] (real LED modulation register) | | | | | | | |
| 3 | Data 3 | 1 | 1 | 1 | 1 | LED modulation overflow LED1 | LED modulation value LED 1' [10:8] | | |
| 4 | Data 4 | LED modulation value LED 2' [7:0] (real LED modulation register) | | | | | | | |
| 5 | Data 5 | 1 | 1 | 1 | 1 | LED modulation overflow LED2 | LED modulation value LED 2' [10:8] | | |
| 6 | Data 6 | LED modulation value LED 3' [7:0] (real LED modulation register) | | | | | | | |
| 7 | Data 7 | Intensity[3:0] | | | LED modulation overflow LED3 | | LED modulation value LED 3' [10:8] | | |
| 8 | Data 8 | FADING ON/OFF | FADING SLOPE | FadingTime[5:0] | | | | | |
| 9 | Checksum | Classic Checksum over data | | | | | | | |

NCV7430

Get_LED_Control

This command reads the control bits conform a two byte in frame command structure.

Table 21. Get_LED_Control READING FRAME

| Byte | Content | Structure | | | | | | | |
|------------------------------------|------------|----------------------------|--------------|-------------|---------|-------------|-------------|-------------|-------|
| | | Bit 7 | Bit 6 | Bit 5 | Bit 4 | Bit 3 | Bit 2 | Bit 1 | Bit 0 |
| 0 | Identifier | 0 | 0 | 1 | 0 | 0 | 0 | 0 | 0 |
| 1 | Data 1 | 1 | 1 | AD[5:0] | | | | | |
| 2 | Data 2 | 8'hFF | | | | | | | |
| 3 | Checksum | Classic Checksum over data | | | | | | | |
| Get_LED In frame response 1 | | | | | | | | | |
| Byte | Content | Structure | | | | | | | |
| | | Bit 7 | Bit 6 | Bit 5 | Bit 4 | Bit 3 | Bit 2 | Bit 1 | Bit 0 |
| 0 | Identifier | 0 | 1 | 0 | 1 | 0 | 0 | 0 | 0 |
| 1 | Data 1 | 1 | 1 | AD[5:0] | | | | | |
| 2 | Data 2 | CAL_EN | LED_MOD_FREQ | LEDs ON/OFF | TH CONT | LED3 ENABLE | LED2 ENABLE | LED1 ENABLE | 1 |
| 3 | Checksum | Classic Checksum over data | | | | | | | |

Set_LED_Control

This command is the overall control command to switch the LEDs on and off.

Table 22. Set_LED_Control WRITING FRAME

| Byte | Content | Structure | | | | | | | |
|------|------------|----------------------------|--------------|-------------|---------|-------------|-------------|-------------|-------|
| | | Bit 7 | Bit 6 | Bit 5 | Bit 4 | Bit 3 | Bit 2 | Bit 1 | Bit 0 |
| 0 | Identifier | 1 | 0 | 1 | 0 | 0 | 0 | 1 | 1 |
| 1 | Data 1 | Broad | 1 | AD[5:0] | | | | | |
| 2 | Data 2 | GROUP[7:0] | | | | | | | |
| 3 | Data 3 | GROUP[15:8] | | | | | | | |
| 4 | Data 4 | CAL_EN | LED_MOD_FREQ | LEDs ON/OFF | TH CONT | LED3 ENABLE | LED2 ENABLE | LED1 ENABLE | 1 |
| 5 | Checksum | Classic Checksum over data | | | | | | | |

Where:

Broad: Broad = '0' all the circuits connected to the LIN bus will only evaluate the GROUP[15:0] bits and will act if its appropriate GROUP_ID bit indicated by OTP is matching . This command is executed immediately.

Set_Color

When CAL_EN is set to '0', the real value for the color setting is written into the LED modulation register. When CAL_EN is set to '1' the received 8 bit values are first corrected by the matrix calculation and then applied to the LED modulation registers.

Table 23. Set_Color WRITING FRAME

| Byte | Content | Structure | | | | | | | | |
|------|------------|-----------------------------|-----------------|------------------|-------|----------------|-------|-------|-------|--|
| | | Bit 7 | Bit 6 | Bit 5 | Bit 4 | Bit 3 | Bit 2 | Bit 1 | Bit 0 | |
| 0 | Identifier | 0 | 1 | 1 | 0 | 0 | 1 | 0 | 0 | |
| 1 | Data 1 | Broad | 1 | AD[5:0] | | | | | | |
| 2 | Data 2 | GROUP[7:0] | | | | | | | | |
| 3 | Data 3 | GROUP[15:8] | | | | | | | | |
| 4 | Data 4 | UPDATE COLOR[1] | UPDATE COLOR[0] | Fading time[5:0] | | | | | | |
| 5 | Data 5 | FADING ON/OFF | FADING* SLOPE | LEDs ON/OFF | 1 | Intensity[3:0] | | | | |
| 6 | Data 6 | LED color value LED 1 [7:0] | | | | | | | | |
| 7 | Data 7 | LED color value LED 2 [7:0] | | | | | | | | |
| 8 | Data 8 | LED color value LED 3 [7:0] | | | | | | | | |
| 9 | Checksum | Classic Checksum over data | | | | | | | | |

Where:

Broad: Broad = '0' all the circuits connected to the LIN bus will only evaluate the GROUP[15:0] bits and will act if its appropriate GROUP_ID bit indicated by OTP is matching.

The update of the LED colors is determined by UPDATECOLOR[1:0]

- 00 immediate update
- 01 store and do not update
- 10 update to the already stored values
- 11 discard

Set_Color_Short

The Set_Color_Short command is used to set the LED colors directly for the four groups that are indicated. This command is short and does not contain all the parameters as used in the Set_Color command. Only four groups can be approached, so the NCV7430 needs to be programmed as member of one of these groups:

(lowest two bits of GROUP_ID in OTP; GROUP_ID0 and GROUP_ID1; presenting 0 to 3 for color).

NOTE: This command is always acting towards groups. Individual node addresses are not implemented.

Table 24. Set_Color_Short WRITING FRAME

| Byte | Content | Structure | | | | | | | |
|------|------------|-----------------------------|-------|-------|-------|------------------|-------|-------|-------|
| | | Bit 7 | Bit 6 | Bit 5 | Bit 4 | Bit 3 | Bit 2 | Bit 1 | Bit 0 |
| 0 | Identifier | 0 | 1 | 1 | 0 | 1 | 1 | 1 | 1 |
| 1 | Data 1 | LED color value LED 1 [7:0] | | | | | | | |
| 2 | Data 2 | LED color value LED 2 [7:0] | | | | | | | |
| 3 | Data 3 | LED color value LED 3 [7:0] | | | | | | | |
| 4 | Data 4 | 1 | 1 | 1 | 1 | COLOR_GROUP[3:0] | | | |
| 5 | Checksum | Classic Checksum over data | | | | | | | |

*Fading Scope = 0 = logarithmic
 = 1 = linear

Choose either 0 or 1 when setting control for intensity
 Fading Slope must be set to '1' for color control (only Linear is allowed).

Set_Intensity

The Set_Intensity command is used to set the LED colors directly for the groups that are indicated. Only four groups can be approached, so the NCV7430 needs to be programmed as member of one of these groups: (higher two bits of GROUP_ID in OTP; GROUP_ID2 and GROUP_ID3; presenting group 0 to 3 for intensity).

NOTE: This command is always acting towards groups. Individual node addresses are not implemented.

Table 25. Set_Intensity WRITING FRAME

| Byte | Content | Structure | | | | | | | |
|------|------------|----------------------------|-------|------------------|-------|----------------|-------|-------|-------|
| | | Bit 7 | Bit 6 | Bit 5 | Bit 4 | Bit 3 | Bit 2 | Bit 1 | Bit 0 |
| 0 | Identifier | 0 | 0 | 1 | 0 | 1 | 1 | 1 | 0 |
| 1 | Data 1 | INTENSITY_GROUP[3:0] | | | | Intensity[3:0] | | | |
| 2 | Data 2 | 1 | 1 | Fading time[5:0] | | | | | |
| 3 | Checksum | Classic Checksum over data | | | | | | | |

Set_Primary_Cal_Param

Using a four byte command structure. These registers are updated as default from OTP after a power on reset.

Table 26. Set_Primary_Cal_Param WRITING FRAME

| Byte | Content | Structure | | | | | | | |
|------|------------|---|-------|---------|-------|-------|-------|-------|-------|
| | | Bit 7 | Bit 6 | Bit 5 | Bit 4 | Bit 3 | Bit 2 | Bit 1 | Bit 0 |
| 0 | Identifier | 0 | 0 | 1 | 0 | 0 | 1 | 0 | 1 |
| 1 | Data 1 | 1 | 1 | AD[5:0] | | | | | |
| 2 | Data 2 | LED modulation Calibration value a11[7:0] | | | | | | | |
| 3 | Data 3 | LED modulation Calibration value a22[7:0] | | | | | | | |
| 4 | Data 4 | LED modulation Calibration value a33[7:0] | | | | | | | |
| 5 | Checksum | Classic Checksum over data | | | | | | | |

Set_Secondary_Cal_Param

Using an eight byte command structure. These registers are updated as default from OTP after a power on reset.

Table 27. Set_Secondary_Cal_Param WRITING FRAME

| Byte | Content | Structure | | | | | | | |
|------|------------|---|-------|---------|-------|-------|-------|-------|-------|
| | | Bit 7 | Bit 6 | Bit 5 | Bit 4 | Bit 3 | Bit 2 | Bit 1 | Bit 0 |
| 0 | Identifier | 0 | 1 | 1 | 1 | 0 | 1 | 1 | 0 |
| 1 | Data 1 | 1 | 1 | AD[5:0] | | | | | |
| 2 | Data 2 | LED modulation Calibration value a12[7:0] | | | | | | | |
| 3 | Data 3 | LED modulation Calibration value a13[7:0] | | | | | | | |
| 4 | Data 4 | LED modulation Calibration value a21[7:0] | | | | | | | |
| 5 | Data 5 | LED modulation Calibration value a23[7:0] | | | | | | | |
| 6 | Data 6 | LED modulation Calibration value a31[7:0] | | | | | | | |
| 7 | Data 7 | LED modulation Calibration value a32[7:0] | | | | | | | |
| 8 | Data 8 | 0xFF | | | | | | | |
| 9 | Checksum | Classic Checksum over data | | | | | | | |

Set_OTP_Param

This command is used for programming the individual bytes of the OTP memory. The OTP address is the pointer to the byte in OTP (refer to Table 8 OTP memory structure).

Used is a four byte command structure.

Table 28. Set_OTP_Param WRITING FRAME

| Byte | Content | Structure | | | | | | | |
|------|------------|----------------------------|-------|---------|-------|--------------------------|-------|-------|-------|
| | | Bit 7 | Bit 6 | Bit 5 | Bit 4 | Bit 3 | Bit 2 | Bit 1 | Bit 0 |
| 0 | Identifier | 1 | 1 | 1 | 0 | 0 | 1 | 1 | 1 |
| 1 | Data 1 | 1 | 1 | AD[5:0] | | | | | |
| 2 | Data 2 | 0xFF | | | | | | | |
| 3 | Data 3 | 1 | 1 | 1 | 1 | OTP address pointer[3:0] | | | |
| 4 | Data 4 | OTP contents [7:0] | | | | | | | |
| 5 | Checksum | Classic Checksum over data | | | | | | | |

Sleep

This command is provided to the circuit by the LIN master to put all the slave nodes connected to the LIN bus into sleep mode. See LIN 2.1 specification and Sleep Mode. The corresponding LIN frame is a master request command frame (identifier **0x3C**) with data byte 1 containing 0x00 while the followings contain 0xFF.

Table 29. SLEEP WRITING FRAME

| Byte | Content | Structure | | | | | | | |
|------|------------|----------------------------|-------|-------|-------|-------|-------|-------|-------|
| | | Bit 7 | Bit 6 | Bit 5 | Bit 4 | Bit 3 | Bit 2 | Bit 1 | Bit 0 |
| 0 | Identifier | 0 | 0 | 1 | 1 | 1 | 1 | 0 | 0 |
| 1 | Data 1 | 0x00 | | | | | | | |
| 2 | Data 2 | 0xFF | | | | | | | |
| 3 | Data 3 | 0xFF | | | | | | | |
| 4 | Data 4 | 0xFF | | | | | | | |
| 5 | Data 5 | 0xFF | | | | | | | |
| 6 | Data 6 | 0xFF | | | | | | | |
| 7 | Data 7 | 0xFF | | | | | | | |
| 8 | Data 8 | 0xFF | | | | | | | |
| 9 | Checksum | Classic Checksum over data | | | | | | | |

APPLICATIONS INFORMATION

High Current LEDs

The NCV7430 is designed to drive RGB LEDs up to currents of 30 mA per channel. The system capability can be increased to drive higher current LEDs by configuring the device with an external PNP transistor as shown in Figure 12. In this setup, all the LED current is external to the device. Output current is limited by the base drive to the PNP (30 mA) and the beta of the PNP. Operation is controlled by the external feedback provided by R3 through R2 to the device pin LEDxR.

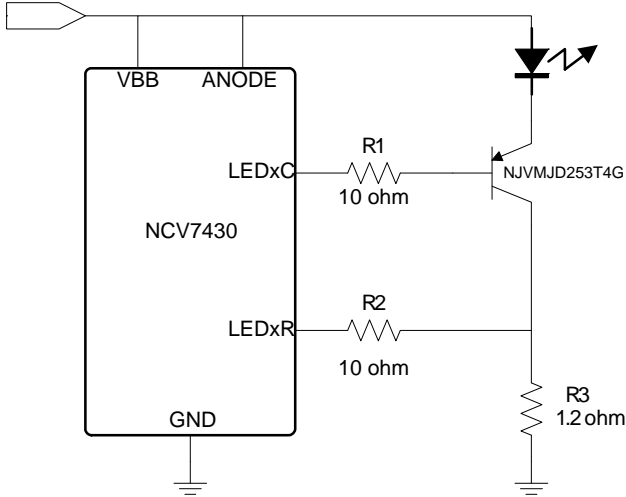


Figure 12. Using the NCV7430 with Higher Current LEDs

Temperature Correction

Light output from LEDs change with temperature. As temperature increases, light output goes down. The magnitude of change typically depends on the type of LEDs which are used. Red LEDs are typically manufactured using AlInGaP while green and blue LEDs are typically manufactured using AlInGaN. These processing differences result in the red LED temperature sensitivity being much more sensitive than the green or blue LEDs. As a result, the green and blue LEDs do not require any corrective adjustments while the red LEDs require the drive current to be increased as temperature goes up to keep a constant light output.

Temperature correction can be implemented using the current programming pin, LED1R by using a programming

network comprised of a resistor in series with a schottky diode in parallel with another resistor as shown in Figure 13. R_{redled} sets the nominal LED current and the Schottky diode with the series resistor (R1) sets the temperature behavior.

The NCV7430 uses a bandgap referenced circuit for creating the programming reference voltage on the LEDxR pins. The bandgap reference voltage targets to maintain a zero TC voltage.

If the system design is able to correlate the red LED temperature to the NCV7430 IC temperature, there is a potential to create a compensation for these thermal effects. Starting with the zero temperature coefficient reference voltage on the LED1R pin, we can break up the voltage into two components by mandating a negative temperature coefficient associated with one component, and leave a positive temperature coefficient associated with the other component. This is done by adding a schottky diode in series with the programming resistor on the LED1R pin. The negative temperature coefficient of the schottky diode creates an overall positive temperature coefficient on the resistor in series. The system designer should consider the resulting positive voltage temperature coefficient with the discrete resistor temperature coefficient to obtain the desired temperature performance. Note, a schottky diode is required over p-n junction diodes due to the low voltage on the LED1R pin (325 mV [typ]).

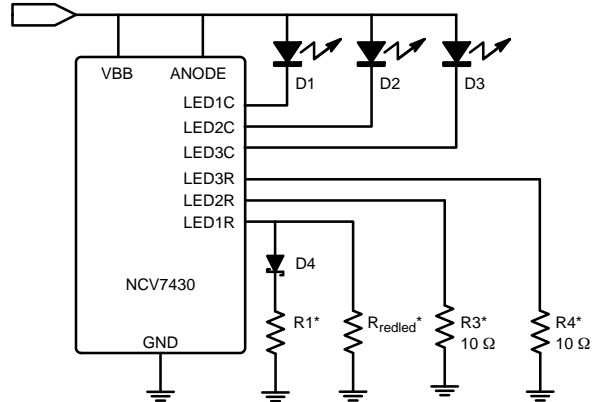


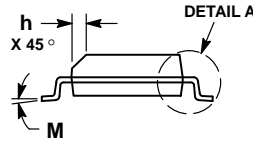
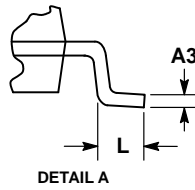
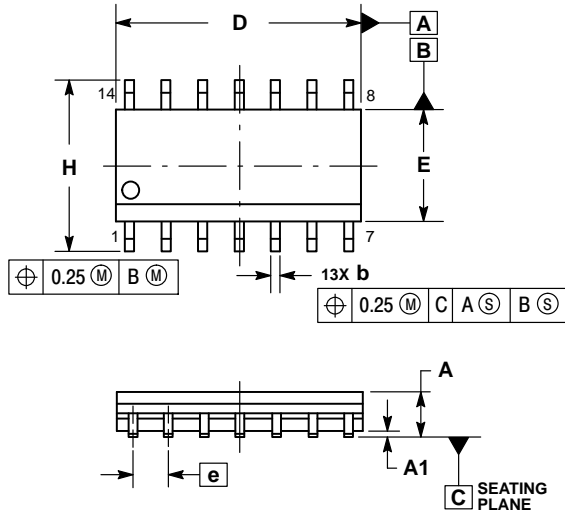
Figure 13. External Temperature Compensation

*R3, R4 = 10 Ω for 30 mA LED current.
 R1, R_{redled} values dependent on application.
 R1, D4 set the LED current temperature coefficient.

NCV7430

PACKAGE DIMENSIONS

SOIC-14 NB CASE 751A-03 ISSUE K

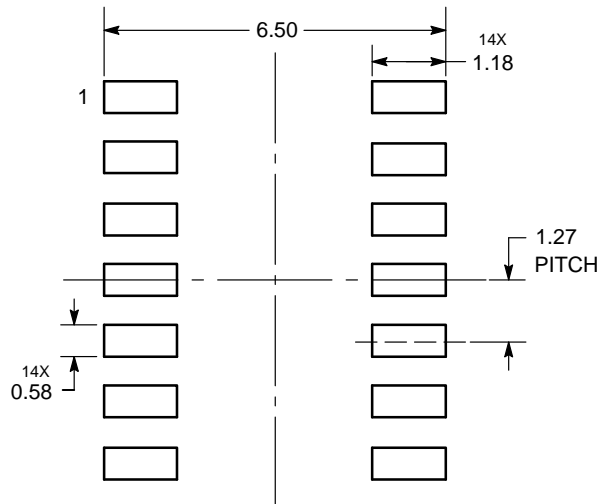


NOTES:

1. DIMENSIONING AND TOLERANCING PER ASME Y14.5M, 1994.
2. CONTROLLING DIMENSION: MILLIMETERS.
3. DIMENSION b DOES NOT INCLUDE DAMBAR PROTRUSION. ALLOWABLE PROTRUSION SHALL BE 0.13 TOTAL IN EXCESS OF AT MAXIMUM MATERIAL CONDITION.
4. DIMENSIONS D AND E DO NOT INCLUDE MOLD PROTRUSIONS.
5. MAXIMUM MOLD PROTRUSION 0.15 PER SIDE.

| DIM | MILLIMETERS | | INCHES | |
|-----|-------------|------|-----------|-------|
| | MIN | MAX | MIN | MAX |
| A | 1.35 | 1.75 | 0.054 | 0.068 |
| A1 | 0.10 | 0.25 | 0.004 | 0.010 |
| A3 | 0.19 | 0.25 | 0.008 | 0.010 |
| b | 0.35 | 0.49 | 0.014 | 0.019 |
| D | 8.55 | 8.75 | 0.337 | 0.344 |
| E | 3.80 | 4.00 | 0.150 | 0.157 |
| e | 1.27 BSC | | 0.050 BSC | |
| H | 5.80 | 6.20 | 0.228 | 0.244 |
| h | 0.25 | 0.50 | 0.010 | 0.019 |
| L | 0.40 | 1.25 | 0.016 | 0.049 |
| M | 0° | 7° | 0° | 7° |

SOLDERING FOOTPRINT*



DIMENSIONS: MILLIMETERS

*For additional information on our Pb-Free strategy and soldering details, please download the ON Semiconductor Soldering and Mounting Techniques Reference Manual, SOLDERRM/D.

ON Semiconductor and are registered trademarks of Semiconductor Components Industries, LLC (SCILLC). SCILLC owns the rights to a number of patents, trademarks, copyrights, trade secrets, and other intellectual property. A listing of SCILLC's product/patent coverage may be accessed at www.onsemi.com/site/pdf/Patent-Marking.pdf. SCILLC reserves the right to make changes without further notice to any products herein. SCILLC makes no warranty, representation or guarantee regarding the suitability of its products for any particular purpose, nor does SCILLC assume any liability arising out of the application or use of any product or circuit, and specifically disclaims any and all liability, including without limitation special, consequential or incidental damages. "Typical" parameters which may be provided in SCILLC data sheets and/or specifications can and do vary in different applications and actual performance may vary over time. All operating parameters, including "Typicals" must be validated for each customer application by customer's technical experts. SCILLC does not convey any license under its patent rights nor the rights of others. SCILLC products are not designed, intended, or authorized for use as components in systems intended for surgical implant into the body, or other applications intended to support or sustain life, or for any other application in which the failure of the SCILLC product could create a situation where personal injury or death may occur. Should Buyer purchase or use SCILLC products for any such unintended or unauthorized application, Buyer shall indemnify and hold SCILLC and its officers, employees, subsidiaries, affiliates, and distributors harmless against all claims, costs, damages, and expenses, and reasonable attorney fees arising out of, directly or indirectly, any claim of personal injury or death associated with such unintended or unauthorized use, even if such claim alleges that SCILLC was negligent regarding the design or manufacture of the part. SCILLC is an Equal Opportunity/Affirmative Action Employer. This literature is subject to all applicable copyright laws and is not for resale in any manner.

PUBLICATION ORDERING INFORMATION

LITERATURE FULFILLMENT:
Literature Distribution Center for ON Semiconductor
P.O. Box 5163, Denver, Colorado 80217 USA
Phone: 303-675-2175 or 800-344-3860 Toll Free USA/Canada
Fax: 303-675-2176 or 800-344-3867 Toll Free USA/Canada
Email: orderlit@onsemi.com

N. American Technical Support: 800-282-9855 Toll Free
USA/Canada
Europe, Middle East and Africa Technical Support:
Phone: 421 33 790 2910
Japan Customer Focus Center
Phone: 81-3-5817-1050

ON Semiconductor Website: www.onsemi.com
Order Literature: <http://www.onsemi.com/orderlit>
For additional information, please contact your local Sales Representative