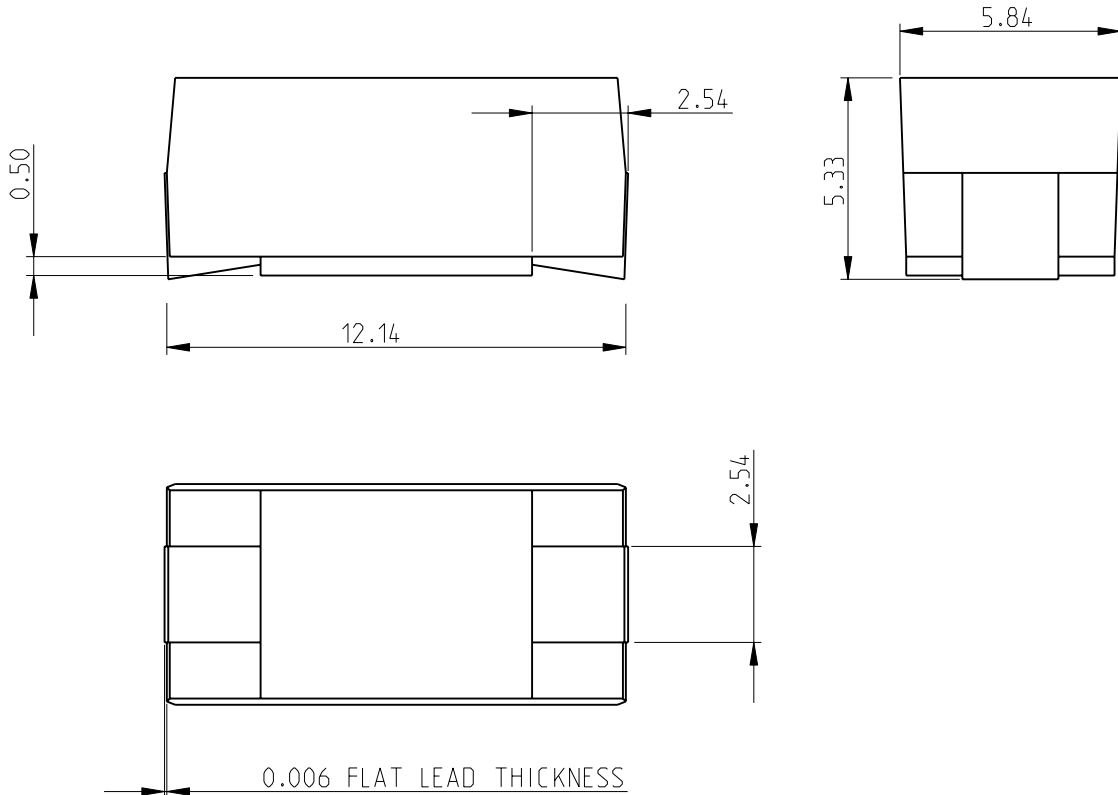
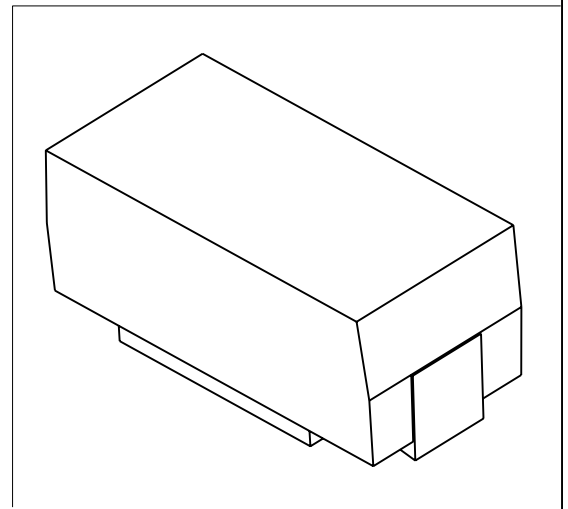
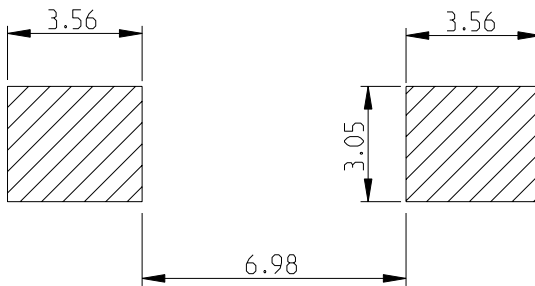


LOC	DIST	REVISIONS			
P	LTR	DESCRIPTION	DATE	DWN	APVD
E	B	BA1	RESISTOR HEIGHT CORRECTED	18AUG2010	PT St.P

FOR FURTHER INFORMATION SEE DATA SHEET FOR
SERIES S - SMD PRECISION CURRENT SENSE RESISTOR



RECOMMENDED LAND PATTERN



2008

RELEASED FOR PUBLICATION

THIS DRAWING IS UNPUBLISHED.

BY TYCO ELECTRONICS CORPORATION. ALL RIGHTS RESERVED.



DIMENSIONS: mm	DWN PARUSURAM.T	10 JULY 2010	MATERIAL	-	FINISH	-
	CHK ALLAN.P	10 JULY 2010	Tyco Electronics Corporation Dorcan, Swindon, SN3 5HH			
TOLERANCES UNLESS OTHERWISE SPECIFIED:	APVD STEPHEN.P	10 JULY 2010				
	0 PLC ±0.2	PRODUCT SPEC	-	SIZE	CAGE CODE	DRAWING NO
1 PLC ±0.1	APPLICATION SPEC	-	A 4	00779	© = 1624266	-
2 PLC ±-	WEIGHT	-	CUSTOMER DRAWING			
3 PLC ±-			SCALE	5:1	SHEET	1 OF 1
4 PLC ±-			REV BA1			
ANGLES ±5°						

