

NBSG16

2.5V/3.3V SiGe Differential Receiver/Driver with RSECL* Outputs

*Reduced Swing ECL

Description

The NBSG16 is a differential receiver/driver targeted for high frequency applications. The device is functionally equivalent to the EP16 and LVEP16 devices with much higher bandwidth and lower EMI capabilities.

Inputs incorporate internal 50 Ω termination resistors and accept NECL (Negative ECL), PECL (Positive ECL), HSTL, LVTTTL, LVCMOS, CML, or LVDS. Outputs are RSECL (Reduced Swing ECL), 400 mV.

The V_{BB} and V_{MM} pins are internally generated voltage supplies available to this device only. The V_{BB} is used as a reference voltage for single-ended NECL or PECL inputs and the V_{MM} pin is used as a reference voltage for LVCMOS inputs. For all single-ended input conditions, the unused complementary differential input is connected to V_{BB} or V_{MM} as a switching reference voltage. V_{BB} or V_{MM} may also rebias AC coupled inputs. When used, decouple V_{BB} and V_{MM} via a 0.01 μ F capacitor and limit current sourcing or sinking to 0.5 mA. When not used, V_{BB} and V_{MM} outputs should be left open.

Features

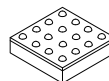
- Maximum Input Clock Frequency > 12 GHz Typical
- Maximum Input Data Rate > 12 Gb/s Typical
- 120 ps Typical Propagation Delay
- 40 ps Typical Rise and Fall Times
- RSPECL Output with Operating Range: $V_{CC} = 2.375$ V to 3.465 V with $V_{EE} = 0$ V
- RSNECL Output with RSNECL or NECL Inputs with Operating Range: $V_{CC} = 0$ V with $V_{EE} = -2.375$ V to -3.465 V
- RSECL Output Level (400 mV Peak-to-Peak Output), Differential Output Only
- 50 Ω Internal Input Termination Resistors
- Compatible with Existing 2.5 V/3.3 V LVEP, EP, and LVEL Devices
- V_{BB} and V_{MM} Reference Voltage Output
- Pb-Free Packages are Available



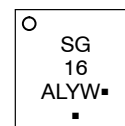
ON Semiconductor®

<http://onsemi.com>

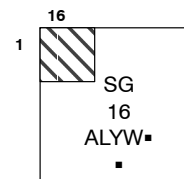
MARKING DIAGRAMS*



FCBGA-16
BA SUFFIX
CASE 489



QFN-16
MN SUFFIX
CASE 485G



- A = Assembly Location
- L = Wafer Lot
- Y = Year
- W = Work Week
- = Pb-Free Package

(Note: Microdot may be in either location)

*For additional marking information, refer to Application Note AND8002/D.

ORDERING INFORMATION

See detailed ordering and shipping information in the package dimensions section on page 10 of this data sheet.

NBSG16

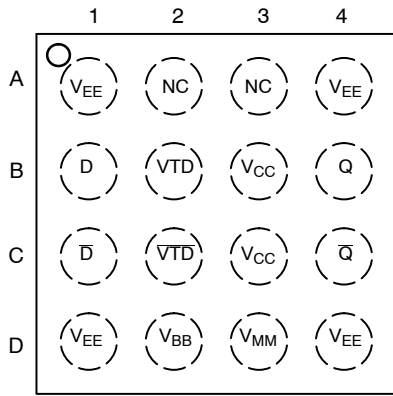


Figure 1. BGA-16 Pinout (Top View)

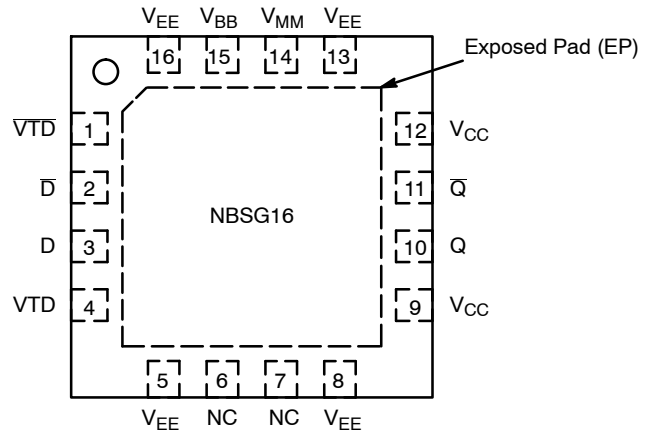


Figure 2. QFN-16 Pinout (Top View)

Table 1. PIN DESCRIPTION

Pin		Name	I/O	Description
BGA	QFN			
C2	1	$\overline{\text{VTD}}$	-	Internal 50 Ω Termination Pin. See Table 2.
C1	2	$\overline{\text{D}}$	ECL, CML, LVCMOS, LVDS, LVTTTL Input	Inverted Differential Input. Internal 75 k Ω to V_{EE} and 36.5 k Ω to V_{CC} .
B1	3	D	ECL, CML, LVCMOS, LVDS, LVTTTL Input	Noninverted differential input. Internal 75 k Ω to V_{EE}
B2	4	VTD	-	Internal 50 Ω Termination Pin. See Table 2.
A1,D1,A4, D4	5,8,13,16	V_{EE}	-	Negative Supply Voltage
A2,A3	6,7	NC	-	No Connect
B3,C3	9,12	V_{CC}	-	Positive Supply Voltage
B4	10	Q	RSECL Output	Noninverted Differential Output. Typically Terminated with 50 Ω to $V_{TT} = V_{CC} - 2\text{ V}$
C4	11	$\overline{\text{Q}}$	RSECL Output	Inverted Differential Output. Typically Terminated with 50 Ω to $V_{TT} = V_{CC} - 2\text{ V}$
D3	14	V_{MM}	-	LVCMOS Reference Voltage Output. $(V_{CC} - V_{EE})/2$
D2	15	V_{BB}	-	ECL Reference Voltage Output
N/A	-	EP	-	The Exposed Pad (EP) and the QFN-16 package bottom is thermally connected to the die for improved heat transfer out of package. The exposed pad must be attached to a heat-sinking conduit. The pad is not electrically connected to the die but may be electrically and thermally connected to V_{EE} on the PC board.

1. The NC pins are electrically connected to the die and MUST be left open.
2. All V_{CC} and V_{EE} pins must be externally connected to Power Supply to guarantee proper operation. The thermally exposed pad on package bottom (see case drawing) must be attached to a heat-sinking conduit.
3. In the differential configuration when the input termination pins (VTD, $\overline{\text{VTD}}$) are connected to a common termination voltage, and if no signal is applied then the device will be susceptible to self-oscillation.

NBSG16

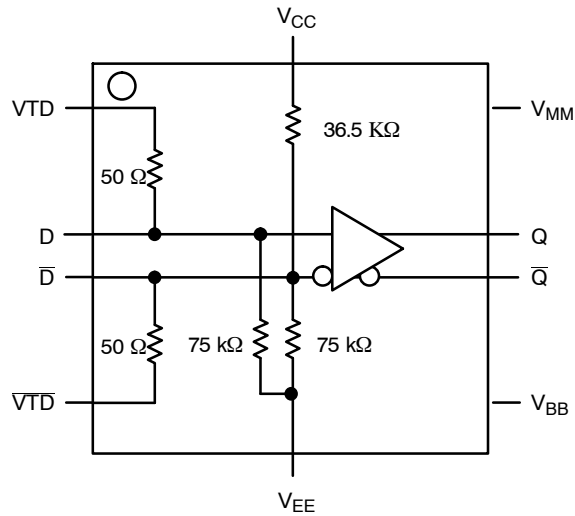


Figure 3. Logic Diagram

Table 2. INTERFACING OPTIONS

INTERFACING OPTIONS	CONNECTIONS
CML	Connect VTD and \overline{VTD} to V _{CC}
LVDS	Connect VTD and \overline{VTD} together
AC-COUPLED	Bias VTD and \overline{VTD} Inputs within (V _{IHCMR}) Common Mode Range
RSECL, PECL, NECL	Standard ECL Termination Techniques
LVTTTL	The external voltage should be applied to the unused complementary differential input. Nominal voltage is 1.5 V for LVTTTL.
LVCMOS	V _{MM} should be connected to the unused complementary differential input.

Table 3. ATTRIBUTES

Characteristics		Value	
Internal Input Pulldown Resistor (D, \overline{D})		75 kΩ	
Internal Input Pullup Resistor (\overline{D})		36.5 kΩ	
ESD Protection		Human Body Model	> 2 kV
		Machine Model	> 100 V
Moisture Sensitivity (Note 1)		Pb Pkg	Pb-Free Pkg
		FCBGA-16	Level 3
		QFN-16	Level 1
Flammability Rating		Oxygen Index: 28 to 34	
		UL 94 V-0 @ 0.125 in	
Transistor Count		167	
Meets or exceeds JEDEC Spec EIA/JESD78 IC Latchup Test			

1. For additional information, see Application Note AND8003/D.

NBSG16

Table 4. MAXIMUM RATINGS

Symbol	Parameter	Condition 1	Condition 2	Rating	Unit
V _{CC}	Positive Power Supply	V _{EE} = 0 V		3.6	V
V _{EE}	Negative Power Supply	V _{CC} = 0 V		-3.6	V
V _I	Positive Input Negative Input	V _{EE} = 0 V V _{CC} = 0 V	V _I ≤ V _{CC} V _I ≥ V _{EE}	3.6 -3.6	V V
V _{INPP}	Differential Input Voltage D - \bar{D}	V _{CC} - V _{EE} ≥ 2.8 V V _{CC} - V _{EE} < 2.8 V		2.8 V _{CC} - V _{EE}	V V
I _{out}	Output Current	Continuous Surge		25 50	mA mA
I _{BB}	V _{BB} Sink/Source			1	mA
I _{MM}	V _{MM} Sink/Source			1	mA
T _A	Operating Temperature Range			-40 to +85	°C
T _{stg}	Storage Temperature Range			-65 to +150	°C
θ _{JA}	Thermal Resistance (Junction-to-Ambient) (Note 2)	0 lfpm 500 lfpm 0 lfpm 500 lfpm	FCBGA-16 FCBGA-16 QFN-16 QFN-16	108 86 41.6 35.2	°C/W °C/W °C/W °C/W
θ _{JC}	Thermal Resistance (Junction-to-Case)	1S2P (Note 2) 2S2P (Note 3)	FCBGA-16 QFN-16	5 4.0	°C/W °C/W
T _{sol}	Wave Solder Pb Pb-Free			225 265	°C

Stresses exceeding Maximum Ratings may damage the device. Maximum Ratings are stress ratings only. Functional operation above the Recommended Operating Conditions is not implied. Extended exposure to stresses above the Recommended Operating Conditions may affect device reliability.

2. JEDEC standard multilayer board – 1S2P (1 signal, 2 power)
3. JEDEC standard multilayer board – 2S2P (2 signal, 2 power) with 8 filled thermal vias under exposed pad.

NBSG16

Table 5. DC CHARACTERISTICS, INPUT WITH RSPECL OUTPUT $V_{CC} = 2.5\text{ V}$; $V_{EE} = 0\text{ V}$ (Note 4)

Symbol	Characteristic	-40°C			25°C			85°C			Unit
		Min	Typ	Max	Min	Typ	Max	Min	Typ	Max	
I_{EE}	Negative Power Supply Current	17	23	29	17	23	29	17	23	29	mA
V_{OH}	Output HIGH Voltage (Note 5)	1450	1530	1575	1525	1565	1600	1550	1590	1625	mV
V_{OUTPP}	Output Voltage Amplitude	350	410	525	350	410	525	350	410	525	mV
V_{IH}	Input HIGH Voltage (Single-Ended) (Note 6)	$V_{THR} + 75\text{ mV}$	$V_{CC} - 1.0^*$	V_{CC}	$V_{THR} + 75\text{ mV}$	$V_{CC} - 1.0^*$	V_{CC}	$V_{THR} + 75\text{ mV}$	$V_{CC} - 1.0^*$	V_{CC}	V
V_{IL}	Input LOW Voltage (Single-Ended) (Note 6)	V_{EE}	$V_{CC} - 1.4^*$	$V_{THR} - 75\text{ mV}$	V_{EE}	$V_{CC} - 1.4^*$	$V_{THR} - 75\text{ mV}$	V_{EE}	$V_{CC} - 1.4^*$	$V_{THR} - 75\text{ mV}$	V
V_{BB}	PECL Output Voltage Reference	1080	1140	1200	1080	1140	1200	1080	1140	1200	mV
V_{IHCMR}	Input HIGH Voltage Common Mode Range (Note 7) (Differential Configuration)	1.2		2.5	1.2		2.5	1.2		2.5	V
V_{MM}	CMOS Output Voltage Reference $V_{CC}/2$	1100	1250	1400	1100	1250	1400	1100	1250	1400	mV
R_{TIN}	Internal Input Termination Resistor	45	50	55	45	50	55	45	50	55	Ω
I_{IH}	Input HIGH Current (@ V_{IH})		30	100		30	100		30	100	μA
I_{IL}	Input LOW Current (@ V_{IL})		25	50		25	50		25	50	μA

NOTE: Device will meet the specifications after thermal equilibrium has been established when mounted in a test socket or printed circuit board with maintained transverse airflow greater than 500 lpm. Electrical parameters are guaranteed only over the declared operating temperature range. Functional operation of the device exceeding these conditions is not implied. Device specification limit values are applied individually under normal operating conditions and not valid simultaneously.

*Typicals used for testing purposes.

4. Input and output parameters vary 1:1 with V_{CC} . V_{EE} can vary +0.125 V to -0.965 V.
5. All loading with 50 Ω to $V_{CC} - 2.0\text{ V}$.
6. V_{THR} is the voltage applied to the complementary input, typically V_{BB} or V_{MM} .
7. V_{IHCMR} min varies 1:1 with V_{EE} , V_{IHCMR} max varies 1:1 with V_{CC} . The V_{IHCMR} range is referenced to the most positive side of the differential input signal.

NBSG16

Table 6. DC CHARACTERISTICS, INPUT WITH RSPECL OUTPUT $V_{CC} = 3.3\text{ V}$; $V_{EE} = 0\text{ V}$ (Note 8)

Symbol	Characteristic	-40°C			25°C			85°C			Unit
		Min	Typ	Max	Min	Typ	Max	Min	Typ	Max	
I_{EE}	Negative Power Supply Current	17	23	29	17	23	29	17	23	29	mA
V_{OH}	Output HIGH Voltage (Note 9)	2250	2330	2375	2325	2365	2400	2350	2390	2425	mV
V_{OUTPP}	Output Voltage Amplitude	350	410	525	350	410	525	350	410	525	mV
V_{IH}	Input HIGH Voltage (Single-Ended) (Note 10)	$V_{THR} + 75\text{ mV}$	$V_{CC} - 1.0^*$	V_{CC}	$V_{THR} + 75\text{ mV}$	$V_{CC} - 1.0^*$	V_{CC}	$V_{THR} + 75\text{ mV}$	$V_{CC} - 1.0^*$	V_{CC}	V
V_{IL}	Input LOW Voltage (Single-Ended) (Note 10)	V_{EE}	$V_{CC} - 1.4^*$	$V_{THR} - 75\text{ mV}$	V_{EE}	$V_{CC} - 1.4^*$	$V_{THR} - 75\text{ mV}$	V_{EE}	$V_{CC} - 1.4^*$	$V_{THR} - 75\text{ mV}$	V
V_{BB}	PECL Output Voltage Reference	1880	1940	2000	1880	1940	2000	1880	1940	2000	mV
V_{IHCMR}	Input HIGH Voltage Common Mode Range (Note 11) (Differential Configuration)	1.2		3.3	1.2		3.3	1.2		3.3	V
V_{MM}	CMOS Output Voltage Reference $V_{CC}/2$	1500	1650	1800	1500	1650	1800	1500	1650	1800	mV
R_{TIN}	Internal Input Termination Resistor	45	50	55	45	50	55	45	50	55	Ω
I_{IH}	Input HIGH Current (@ V_{IH})		30	100		30	100		30	100	μA
I_{IL}	Input LOW Current (@ V_{IL})		25	50		25	50		25	50	μA

NOTE: Device will meet the specifications after thermal equilibrium has been established when mounted in a test socket or printed circuit board with maintained transverse airflow greater than 500 lpm. Electrical parameters are guaranteed only over the declared operating temperature range. Functional operation of the device exceeding these conditions is not implied. Device specification limit values are applied individually under normal operating conditions and not valid simultaneously.

*Typicals used for testing purposes.

8. Input and output parameters vary 1:1 with V_{CC} . V_{EE} can vary +0.925 V to -0.165 V.

9. All loading with 50 Ω to $V_{CC} - 2.0\text{ V}$.

10. V_{THR} is the voltage applied to the complementary input, typically V_{BB} or V_{MM} .

11. V_{IHCMR} min varies 1:1 with V_{EE} , V_{IHCMR} max varies 1:1 with V_{CC} . The V_{IHCMR} range is referenced to the most positive side of the differential input signal.

NBSG16

Table 7. DC CHARACTERISTICS, NECL OR RSNECL INPUT WITH NECL OUTPUT

$V_{CC} = 0\text{ V}$; $V_{EE} = -3.465\text{ V to } -2.375\text{ V}$ (Note 12)

Symbol	Characteristic	-40°C			25°C			85°C			Unit
		Min	Typ	Max	Min	Typ	Max	Min	Typ	Max	
I_{EE}	Negative Power Supply Current	17	23	29	17	23	29	17	23	29	mA
V_{OH}	Output HIGH Voltage (Note 13)	-1050	-970	-925	-975	-935	-900	-950	-910	-875	mV
V_{OUTPP}	Output Voltage Amplitude	350	410	525	350	410	525	350	410	525	mV
V_{IH}	Input HIGH Voltage (Single-Ended) (Note 14)	$V_{THR} + 75\text{ mV}$	$V_{CC} - 1.0^*$	V_{CC}	$V_{THR} + 75\text{ mV}$	$V_{CC} - 1.0^*$	V_{CC}	$V_{THR} + 75\text{ mV}$	$V_{CC} - 1.0^*$	V_{CC}	V
V_{IL}	Input LOW Voltage (Single-Ended) (Note 14)	V_{EE}	$V_{CC} - 1.4^*$	$V_{THR} - 75\text{ mV}$	V_{EE}	$V_{CC} - 1.4^*$	$V_{THR} - 75\text{ mV}$	V_{EE}	$V_{CC} - 1.4^*$	$V_{THR} - 75\text{ mV}$	V
V_{BB}	NECL Output Voltage Reference	-1420	-1360	-1300	-1420	-1360	-1300	-1420	-1360	-1300	mV
V_{IHCMR}	Input HIGH Voltage Common Mode Range (Note 15) (Differential Configuration)	$V_{EE} + 1.2$		0.0	$V_{EE} + 1.2$		0.0	$V_{EE} + 1.2$		0.0	V
V_{MM}	CMOS Output Voltage Reference (Note 16)	$V_{MMT} - 150$	V_{MMT}	$V_{MMT} + 150$	$V_{MMT} - 150$	V_{MMT}	$V_{MMT} + 150$	$V_{MMT} - 150$	V_{MMT}	$V_{MMT} + 150$	mV
R_{TIN}	Internal Input Termination Resistor	45	50	55	45	50	55	45	50	55	Ω
I_{IH}	Input HIGH Current (@ V_{IH})		30	100		30	100		30	100	μA
I_{IL}	Input LOW Current (@ V_{IL})		25	50		25	50		25	50	μA

NOTE: Device will meet the specifications after thermal equilibrium has been established when mounted in a test socket or printed circuit board with maintained transverse airflow greater than 500 lfm. Electrical parameters are guaranteed only over the declared operating temperature range. Functional operation of the device exceeding these conditions is not implied. Device specification limit values are applied individually under normal operating conditions and not valid simultaneously.

*Typicals used for testing purposes.

12. Input and output parameters vary 1:1 with V_{CC} .

13. All loading with $50\ \Omega$ to $V_{CC} - 2.0\text{ V}$.

14. V_{THR} is the voltage applied to the complementary input, typically V_{BB} or V_{MM} .

15. V_{IHCMR} min varies 1:1 with V_{EE} , V_{IHCMR} max varies 1:1 with V_{CC} . The V_{IHCMR} range is referenced to the most positive side of the differential input signal.

16. V_{MM} typical = $|V_{CC} - V_{EE}|/2 + V_{EE} = V_{MMT}$

NBSG16

Table 8. AC CHARACTERISTICS for FCLGA-16

$V_{CC} = 0\text{ V}$; $V_{EE} = -3.465\text{ V to }-2.375\text{ V}$ or $V_{CC} = 2.375\text{ V to }3.465\text{ V}$; $V_{EE} = 0\text{ V}$

Symbol	Characteristic	-40°C			25°C			85°C			Unit
		Min	Typ	Max	Min	Typ	Max	Min	Typ	Max	
f_{max}	Maximum Frequency (See Figure 4. $f_{max}/JITTER$) (Note 17)	10.7	12		10.7	12		10.7	12		GHz
t_{PLH} , t_{PHL}	Propagation Delay to Output Differential	90	110	130	100	120	140	105	125	145	ps
t_{SKEW}	Duty Cycle Skew (Note 18)		3	15		3	15		3	15	ps
t_{JITTER}	RMS Random Clock Jitter Peak-to-Peak Data Dependent Jitter $f_{in} < 10\text{ GHz}$ $f_{in} < 10\text{ Gb/s}$		0.2 TBD	1		0.2 TBD	1		0.2 TBD	1	ps
V_{INPP}	Input Voltage Swing/Sensitivity (Differential Configuration) (Note 19)	75		2600	75		2600	75		2600	mV
t_r t_f	Output Rise/Fall Times @ 1 GHz (20% – 80%) Q, \bar{Q}	30	45	75	20	40	65	20	40	65	ps

NOTE: Device will meet the specifications after thermal equilibrium has been established when mounted in a test socket or printed circuit board with maintained transverse airflow greater than 500 lpm. Electrical parameters are guaranteed only over the declared operating temperature range. Functional operation of the device exceeding these conditions is not implied. Device specification limit values are applied individually under normal operating conditions and not valid simultaneously.

17. Measured using a 400 mV source, 50% duty cycle clock source. All loading with $50\ \Omega$ to $V_{CC} - 2.0\text{ V}$. Input edge rates 40 ps (20% – 80%).

18. See Figure 6. $t_{skew} = |t_{PLH} - t_{PHL}|$ for a nominal 50% differential clock input waveform.

19. $V_{INPP(max)}$ cannot exceed $V_{CC} - V_{EE}$

Table 9. AC CHARACTERISTICS for QFN-16

$V_{CC} = 0\text{ V}$; $V_{EE} = -3.465\text{ V to }-2.375\text{ V}$ or $V_{CC} = 2.375\text{ V to }3.465\text{ V}$; $V_{EE} = 0\text{ V}$

Symbol	Characteristic	-40°C			25°C			85°C			Unit
		Min	Typ	Max	Min	Typ	Max	Min	Typ	Max	
f_{max}	Maximum Frequency (See Figure 4. $f_{max}/JITTER$) (Note 20)	10.7	12		10.7	12		10.7	12		GHz
t_{PLH} , t_{PHL}	Propagation Delay to Output Differential	90	110	130	100	120	140	95	125	145	ps
t_{SKEW}	Duty Cycle Skew (Note 21)		3	15		3	15		3	15	ps
t_{JITTER}	RMS Random Clock Jitter Peak-to-Peak Data Dependent Jitter $f_{in} < 10\text{ GHz}$ $f_{in} < 10\text{ Gb/s}$		0.2 TBD	2		0.2 TBD	2		0.2 TBD	2	ps
V_{INPP}	Input Voltage Swing/Sensitivity (Differential Configuration) (Note 22)	75		2600	75		2600	75		2600	mV
t_r t_f	Output Rise/Fall Times @ 1 GHz (20% – 80%) Q, \bar{Q}	20	30	50	20	30	50	20	30	50	ps

NOTE: Device will meet the specifications after thermal equilibrium has been established when mounted in a test socket or printed circuit board with maintained transverse airflow greater than 500 lpm. Electrical parameters are guaranteed only over the declared operating temperature range. Functional operation of the device exceeding these conditions is not implied. Device specification limit values are applied individually under normal operating conditions and not valid simultaneously.

20. Measured using a 400 mV source, 50% duty cycle clock source. All loading with $50\ \Omega$ to $V_{CC} - 2.0\text{ V}$. Input edge rates 40 ps (20% – 80%).

21. See Figure 6. $t_{skew} = |t_{PLH} - t_{PHL}|$ for a nominal 50% differential clock input waveform.

22. $V_{INPP(max)}$ cannot exceed $V_{CC} - V_{EE}$

NBSG16

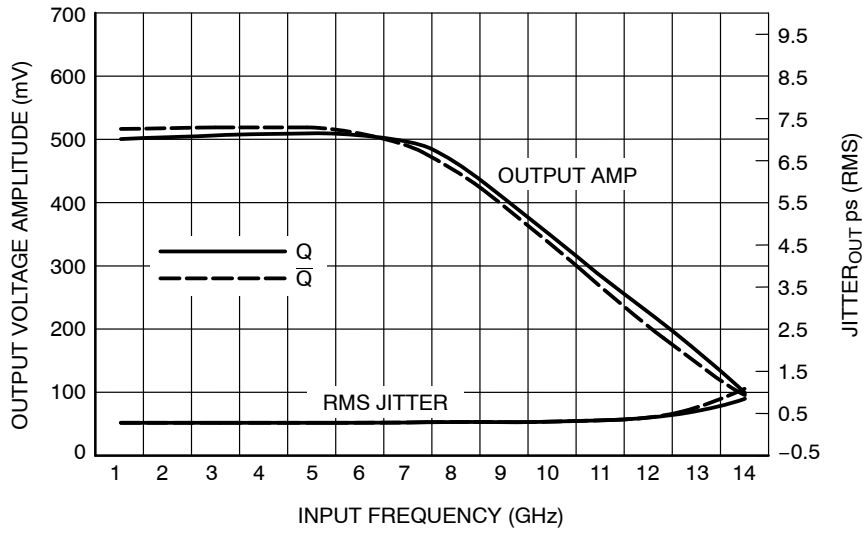
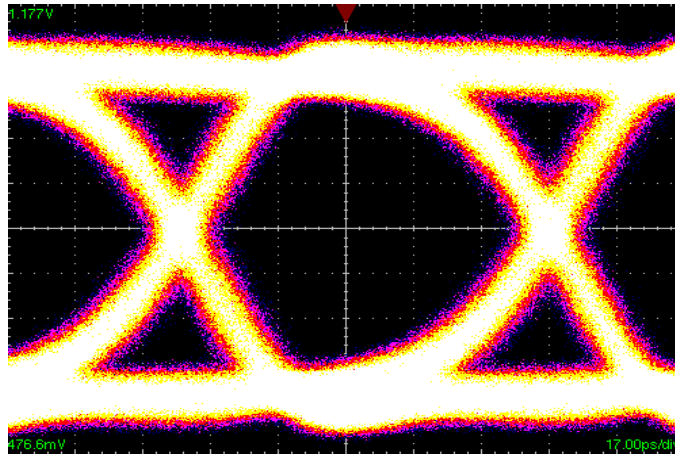


Figure 4. Output Voltage Amplitude (V_{OUTPP}) / RMS Jitter vs. Input Frequency (f_{in}) at Ambient Temperature (Typical)



X = 17ps/Div Y = 70 mV/Div

Figure 5. 10.709 Gb/s Diagram (3.0 V, 25°C)

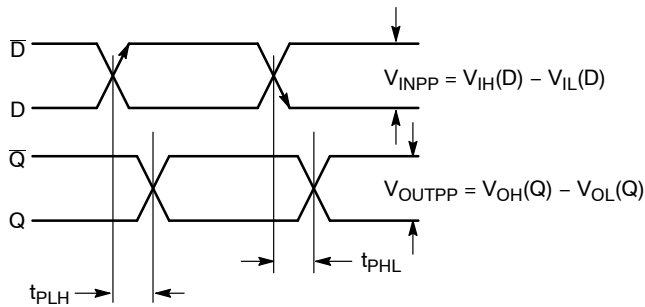


Figure 6. AC Reference Measurement

NBSG16

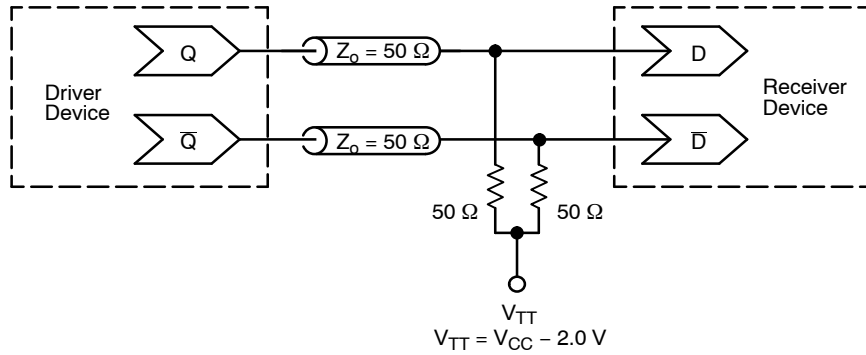


Figure 7. Typical Termination for Output Driver and Device Evaluation
 (See Application Note AND8020/D – Termination of ECL Logic Devices.)

ORDERING INFORMATION

Device	Package	Shipping [†]
NBSG16BAHTBG	FCBGA-16 (Pb-Free)	100 / Tape & Reel
NBSG16BA	FCBGA-16	100 Units / Tray (Contact Sales Representative)
NBSG16BAR2	FCBGA-16	100 / Tape & Reel (Contact Sales Representative)
NBSG16MN	QFN-16	123 Units / Rail
NBSG16MNG	QFN-16 (Pb-Free)	123 Units / Rail
NBSG16MNR2	QFN-16	3000 / Tape & Reel
NBSG16MNR2G	QFN-16 (Pb-Free)	3000 / Tape & Reel
NBSG16MNHTBG	QFN-16 (Pb-Free)	100 / Tape & Reel

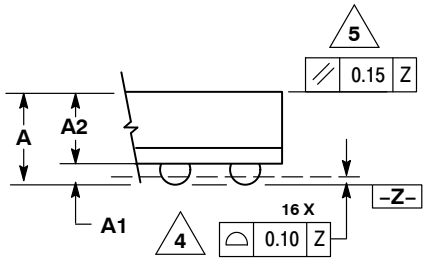
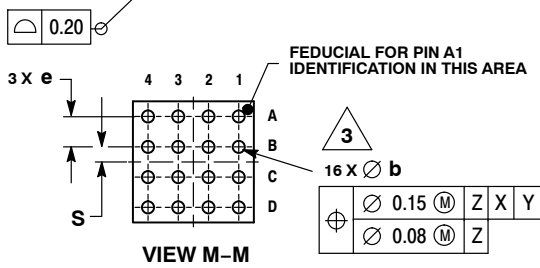
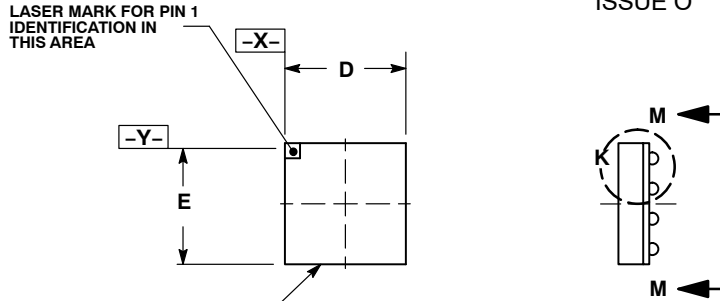
Board	Description
NBSG16BAEVB	NBSG16BA Evaluation Board

[†]For information on tape and reel specifications, including part orientation and tape sizes, please refer to our Tape and Reel Packaging Specifications Brochure, BRD8011/D.

NBSG16

PACKAGE DIMENSIONS

FCBGA-16
BA SUFFIX
 PLASTIC 4X4 (mm) BGA FLIP CHIP PACKAGE
 CASE 489-01
 ISSUE O



DETAIL K
 ROTATED 90° CLOCKWISE

NOTES:

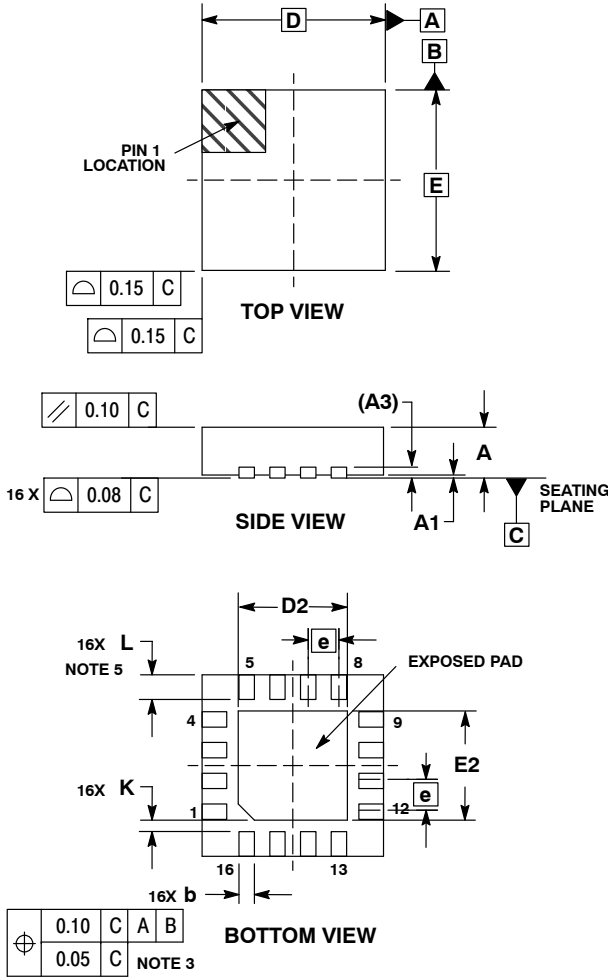
1. DIMENSIONS ARE IN MILLIMETERS.
2. INTERPRET DIMENSIONS AND TOLERANCES PER ASME Y14.5M, 1994.
3. DIMENSION b IS MEASURED AT THE MAXIMUM SOLDER BALL DIAMETER, PARALLEL TO DATUM PLANE Z.
4. DATUM Z (SEATING PLANE) IS DEFINED BY THE SPHERICAL CROWNS OF THE SOLDER BALLS.
5. PARALLELISM MEASUREMENT SHALL EXCLUDE ANY EFFECT OF MARK ON TOP SURFACE OF PACKAGE.

MILLIMETERS	
DIM	MIN MAX
A	1.40 MAX
A1	0.25 0.35
A2	1.20 REF
b	0.30 0.50
D	4.00 BSC
E	4.00 BSC
e	1.00 BSC
S	0.50 BSC

NBSG16

PACKAGE DIMENSIONS

16 PIN QFN
CASE 485G-01
ISSUE C

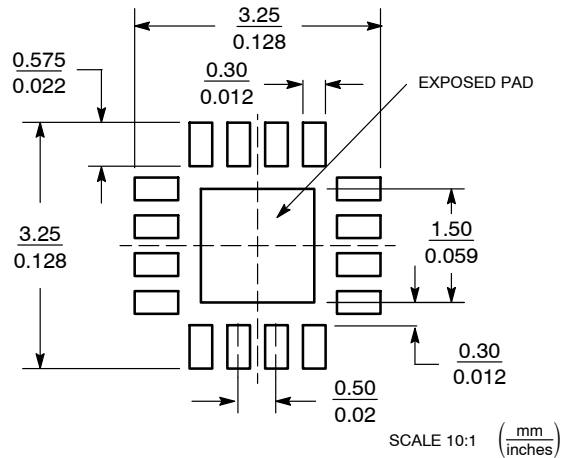


NOTES:

1. DIMENSIONING AND TOLERANCING PER ASME Y14.5M, 1994.
2. CONTROLLING DIMENSION: MILLIMETERS.
3. DIMENSION b APPLIES TO PLATED TERMINAL AND IS MEASURED BETWEEN 0.25 AND 0.30 MM FROM TERMINAL.
4. COPLANARITY APPLIES TO THE EXPOSED PAD AS WELL AS THE TERMINALS.
5. L_{max} CONDITION CAN NOT VIOLATE 0.2 MM MINIMUM SPACING BETWEEN LEAD TIP AND FLAG

DIM	MILLIMETERS	
	MIN	MAX
A	0.80	1.00
A1	0.00	0.05
A3	0.20	REF
b	0.18	0.30
D	3.00	BSC
D2	1.65	1.85
E	3.00	BSC
E2	1.65	1.85
e	0.50	BSC
K	0.18	TYP
L	0.30	0.50

SOLDERING FOOTPRINT*



*For additional information on our Pb-Free strategy and solderin details, please download the ON Semiconductor Soldering and Mounting Techniques Reference Manual, SOLDERRM/D.

ON Semiconductor and are registered trademarks of Semiconductor Components Industries, LLC (SCILLC). SCILLC reserves the right to make changes without further notice to any products herein. SCILLC makes no warranty, representation or guarantee regarding the suitability of its products for any particular purpose, nor does SCILLC assume any liability arising out of the application or use of any product or circuit, and specifically disclaims any and all liability, including without limitation special, consequential or incidental damages. "Typical" parameters which may be provided in SCILLC data sheets and/or specifications can and do vary in different applications and actual performance may vary over time. All operating parameters, including "Typicals" must be validated for each customer application by customer's technical experts. SCILLC does not convey any license under its patent rights nor the rights of others. SCILLC products are not designed, intended, or authorized for use as components in systems intended for surgical implant into the body, or other applications intended to support or sustain life, or for any other application in which the failure of the SCILLC product could create a situation where personal injury or death may occur. Should Buyer purchase or use SCILLC products for any such unintended or unauthorized application, Buyer shall indemnify and hold SCILLC and its officers, employees, subsidiaries, affiliates, and distributors harmless against all claims, costs, damages, and expenses, and reasonable attorney fees arising out of, directly or indirectly, any claim of personal injury or death associated with such unintended or unauthorized use, even if such claim alleges that SCILLC was negligent regarding the design or manufacture of the part. SCILLC is an Equal Opportunity/Affirmative Action Employer. This literature is subject to all applicable copyright laws and is not for resale in any manner.

PUBLICATION ORDERING INFORMATION

LITERATURE FULFILLMENT:
Literature Distribution Center for ON Semiconductor
P.O. Box 5163, Denver, Colorado 80217 USA
Phone: 303-675-2175 or 800-344-3860 Toll Free USA/Canada
Fax: 303-675-2176 or 800-344-3867 Toll Free USA/Canada
Email: orderlit@onsemi.com

N. American Technical Support: 800-282-9855 Toll Free USA/Canada
Europe, Middle East and Africa Technical Support:
Phone: 421 33 790 2910
Japan Customer Focus Center
Phone: 81-3-5773-3850

ON Semiconductor Website: www.onsemi.com
Order Literature: <http://www.onsemi.com/orderlit>
For additional information, please contact your local Sales Representative