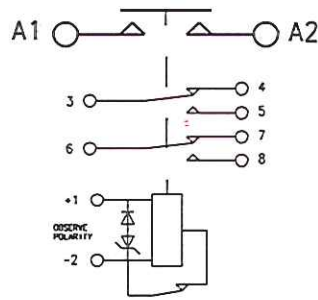
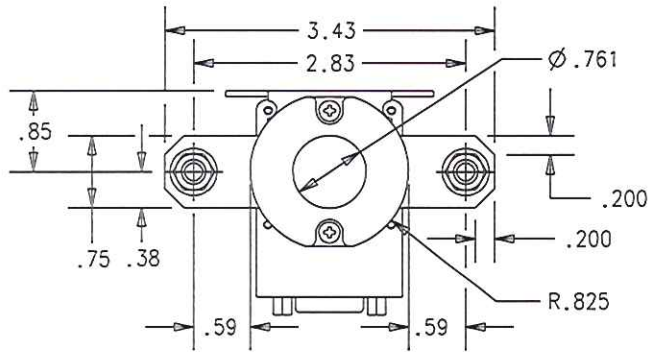


REVISIONS		RELEASED	
REV.	DESCRIPTION	DATE	APPROVED
A	RELEASE TO PRODUCTION	11-08-18	C.B.



CONSTRUCTION GASKET SEALED

MAIN CONTACTS CONFIGURATION SPST N.O. (DOUBLE BREAK)

VOLTAGE 28 VDC

CURRENT RESISTIVE 400 AMPS

OVERLOAD 450 AMPS FOR 5 MIN

1000 AMPS FOR 10 SEC.

INRUSH 1500 AMPS

RUPTURE 4000 AMPS

AUXILIARY CONTACTS CONFIGURATION 2 FORM C

VOLTAGE 28 VDC

CURRENT RESISTIVE 5 AMPS

INDUCTIVE 2 AMPS

LAMP 1 AMP

LOW LEVEL 1 mA AT 28 VDC

COIL DATA DUTY CYCLE CONTINUOUS (ECONOMIZED)

MAX OPERATE VOLTAGE 32 VDC

NOM OPERATE VOLTAGE 28 VDC

MAX PICKUP VOLTAGE 13 VDC AT 20°C (FIRST APPLICATION)

16 VDC AT 85°C

DROPOUT VOLTAGE 9 VDC MAX

COIL CURRENT INRUSH 6 AMP MAX AT 32 VDC AND -40°C

HOLD 500 mA MAX AT 32 VDC AND 25°C

OPERATE TIME 35 mSEC MAX AT 18 TO 32 VDC

RELEASE TIME 20 mSEC MAX AT 28 VDC

BOUNCE TIME 5 mSEC MAX AT 18 TO 32 VDC

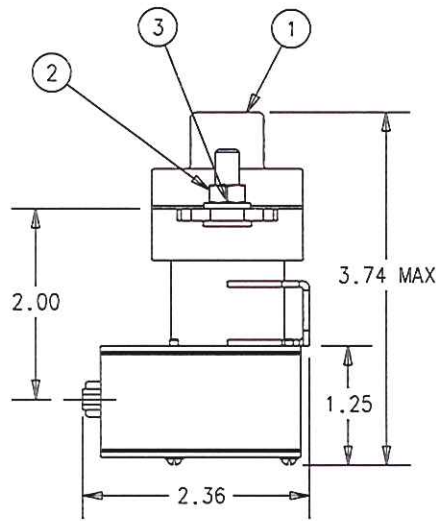
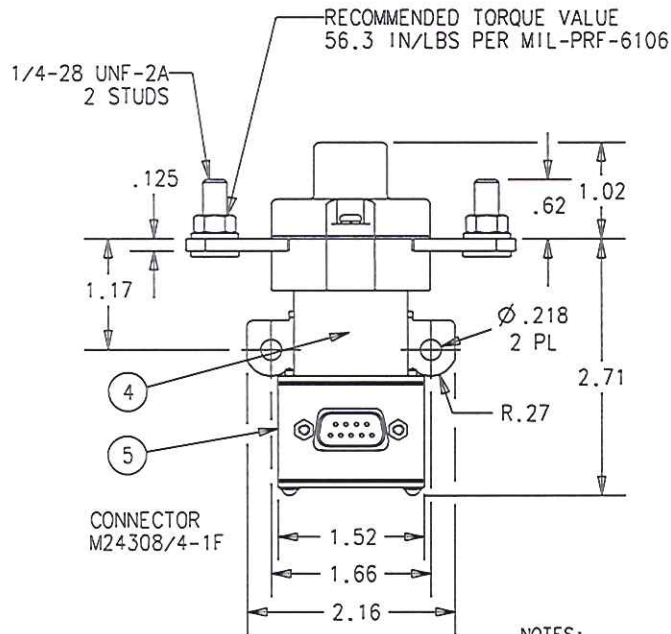
ENVIRONMENTAL DATA TEMPERATURE -55°C TO 85°C

ALTITUDE 50,000 FEET

LIFE ELECTRICAL 50,000 CYCLES MIN.

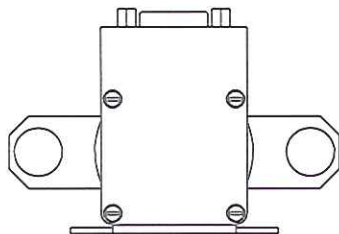
LIFE MECHANICAL 100,000 CYCLES MIN.

WEIGHT MAX EST. .77 LBS



CONNECTOR M24308/4-1F

- NOTES:
1. COIL TRANSIENT VOLTAGE LIMITED TO ±42 VOLTS REFERENCED TO ZERO VOLTS.
  2. AUXILIARY CONTACTS ARE GOLD PLATED.
  3. 1 MILLIAMPERE RATING DOES NOT APPLY IF CONTACTS HAVE SWITCHED LOADS ABOVE 1 MILLIAMPERE.



5	1	44900-015	SCHEMATIC DIAGRAM			9-1616970-4	
4	1	44899-026	NAME PLATE			9-1616970-3	
3	2	51807-034	LOCKWASHER, 1/4 SPLIT			3-1616360-0	
2	2	50407-074	NUT 1/4-28 3/8 X 3/16 HEX			9-1616337-0	
1	1	47619-080	PRIMARY ASSEMBLY			7-1616968-5	
FINO NO	QTY RECD	PART OR IDENTIFYING NO	NOMENCLATURE OR DESCRIPTION	DRAWING OR SPECIFICATION	FSC# NO	TE PART NO	MATERIAL OR NOTE
UNLESS OTHERWISE SPECIFIED DIMENSIONS ARE IN INCHES TOLERANCES ON			 Harmon Division 175 N. DIAMOND STREET MANSFIELD, OHIO 44902				
2 PL DEC.	3 PL DEC.	ANGLES					
±.06	±.010	± 1°	DR BY RSS 06-06-23	CONTACTOR - SPST N.O. DB 400 AMP, 28 VDC			
			CHK BY C.B. 11-08-18				
			ENGR RSS 06-06-23				
			MFG SBA 01-03-18	DWG NO. K4001A3C			
			SIZE A CODE IDENT 74063				
SCALE 1:2			SHEET 1 OF 1	REF TE PN 6-1616968-5			