


ST-REL4-KG 24/21-21/AU

Order No.: 2829551

<http://eshop.phoenixcontact.de/phoenix/treeViewClick.do?UID=2829551>

Relay connector, fitted with miniature switching relay, contacts (AgNi +Au): Small to large loads, 2 PDT, 24 V AC/DC input voltage, with light indicator, can be plugged into basic terminal blocks

Commercial data	
GTIN (EAN)	 4 017918 078508
sales group	G013
Pack	10 pcs.
Customs tariff	85364190
Catalog page information	Page 89 (IF-2005)

Product notes

WEEE/RoHS-compliant since:
08/10/2006



<http://www.download.phoenixcontact.com>
Please note that the data given here has been taken from the online catalog. For comprehensive information and data, please refer to the user documentation. The General Terms and Conditions of Use apply to Internet downloads.

Technical data

Coil side

Nominal input voltage U_N	24 V AC/DC
Input voltage range in reference to U_N	0.8 ... 1.1
Nominal input current at U_{IN}	19 mA
Typical response time	9 ms (with DC)
Typical release time	10 ms (with DC)
Operating voltage display	Yes
Protective circuit/component	Bridge rectifier, varistor

Contact side

Contact type	Single contact, 2-PDT
Contact material	Hard gold plated AgNi
Maximum switching voltage	30 V AC/DC
Maximum inrush current	50 mA
Limiting continuous current	50 mA
Interrupting rating (ohmic load) max.	1.2 W (at 24 V DC)
Note	the following values are applicable if a gold layer is destroyed
Maximum switching voltage	250 V AC/DC
Limiting continuous current	3 A
Maximum inrush current	5 A
Interrupting rating (ohmic load) max.	70 W (at 24 V DC)
	85 W (for 48 V DC)
	60 W (for 60 V DC)
	40 W (for 110 V DC)
	60 W (for 220 V DC)
	750 VA (for 250 V AC)

General data

Width	27 mm
Height	33 mm
Depth	66.5 mm
Test voltage relay winding/relay contact	2.5 kV AC (50 Hz, 1 min.)
Test voltage PDT/PDT	1 kV AC (50 Hz, 1 min.)
Ambient temperature (operation)	-20 °C ... 50 °C

Ambient temperature (storage/transport)	-20 °C ... 70 °C
Operating mode	100% operating factor
Mechanical service life	Approx. 2 x 10 ⁷ cycles
Standards/regulations	DIN VDE 0110b, Gr. C for 250 V DC
	IEC 60255/DIN VDE 0435 (in relevant parts)
	DIN EN 50178/DIN VDE 0160 (in relevant parts)
	EN 60730/DIN VDE 0631
	DIN VDE 0160 (in relevant parts)

Certificates / Approvals



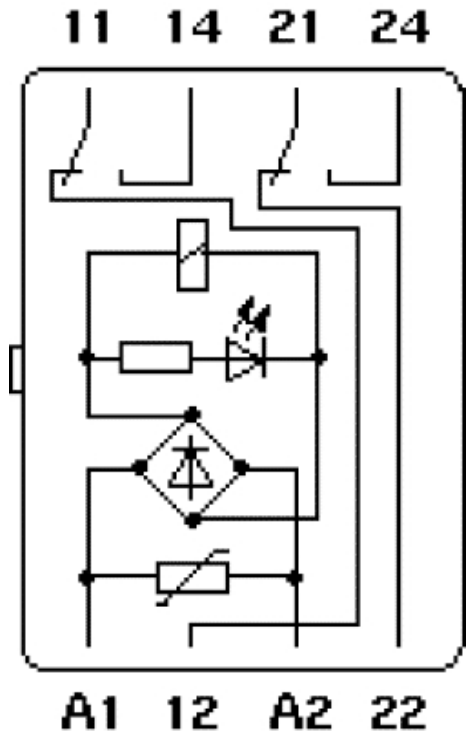
Certification GOST

Additional products

Item	Designation	Description
General		
2777056	UDK-RELG 4	Basic termination blocks with test connection on both sides and double connections with the same potential for NS 32 and NS 35/7.5 DIN rail, with end cover, for ST-REL..., ST-OV... and ST-OE... plugs, 4-pos.
2820149	URELG 4	Basic termination blocks with screw connection for NS 32 and NS 35/7.5 DIN rail, with end cover, for ST-REL..., ST-OV... and ST-OE... plugs, 4-pos.
2820712	URELG 4-PMTK	Basic termination blocks with test connection on both sides and knife disconnection for NS 32 and NS 35/7.5 DIN rail, with end cover, for ST-REL..., ST-OV... and ST-OE... plugs, 4-pos.
2829920	ZFK-RELG 4	Basic termination blocks with spring-cage connection for NS 35/7.5 DIN rail, with end cover, for ST-REL..., ST-OV... and ST-OE... plugs, 4-pos.

Diagrams/Drawings

Circuit diagram



Address

PHOENIX CONTACT Deutschland GmbH
Flachmarktstr. 8
32825 Blomberg, Germany
Phone +49 5235 3 12000
Fax +49 5235 3 41200
<http://www.phoenixcontact.de>



© 2011 Phoenix Contact
Technical modifications reserved;